



Ultra★Sport™ Luminaire

with Hot Restart Option

READ THOROUGHLY BEFORE INSTALLING

! WARNING

Risk of electric shock

- Turn power off before servicing
- see instructions

NOTE: Make all electrical connections in accordance with the National Electrical Code and any applicable local code requirements.

! WARNING

Risk of fire

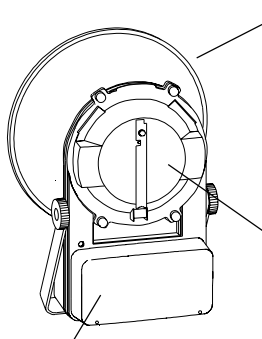
- Keep combustible materials away from lens – see instructions
- Use lamps specified on nameplate

NOTE: Do not place combustible materials within 7 feet (2 meters) of the front of the reflector lens.

This luminaire is designed for use in outdoor applications and must adhere to 25°C Max. ambient temperature limitation unless otherwise stated on nameplate. Install and maintain it according to the following recommendations.

NOTE: Verify that supply voltage is correct by comparing it to nameplate.

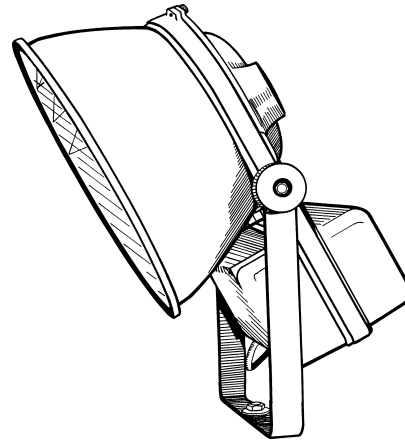
SERVICE CONSIDERATIONS



Sealed Reflector Assembly
Luminaire is equipped with a safety circuit to prevent lamp operation if the lens is broken. If any component such as reflector, lens or casing is damaged the complete assembly must be replaced.

Relamping Door
Luminaire is shipped with lamp in place. Door may be opened for relamping. Door must be sealed during operation.

Ballast Compartment
DO NOT REMOVE THIS COVER!—There are no field serviceable components under this cover. Ballasting components must be maintained by factory trained service technicians only.



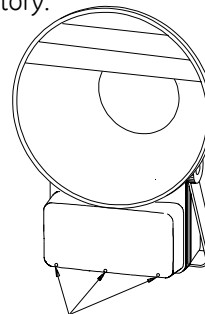
! CAUTION

Unit will fall if not installed properly

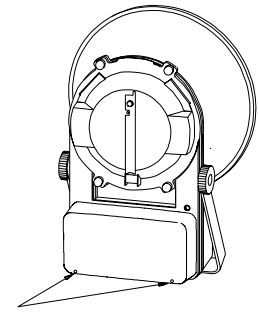
- Follow installation instructions

STEP 1 – INSTALLATION PROCEDURES

Verify that the drain holes are in the proper locations for the intended aiming direction. If not contact the factory.

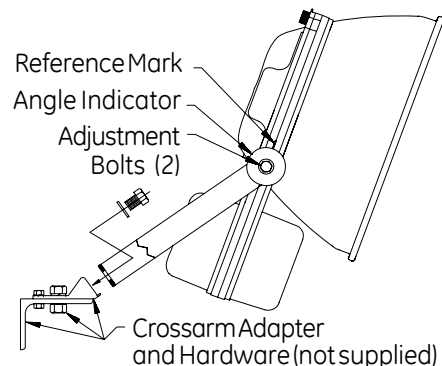


Drain holes for fixtures aimed below horizontal.



Drain holes for fixtures aimed above horizontal.

STEP 2 – LUMINAIRE MOUNTING



Step 3 — LUMINAIRE AIMING

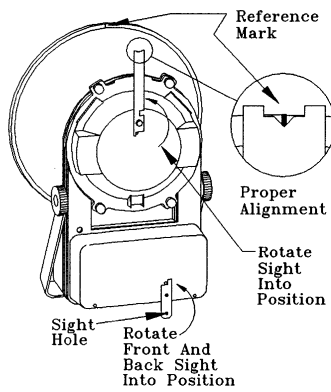
Two sighting systems are provided for your convenience. Use the sight system which is most easily accessed.

Optical Sight:

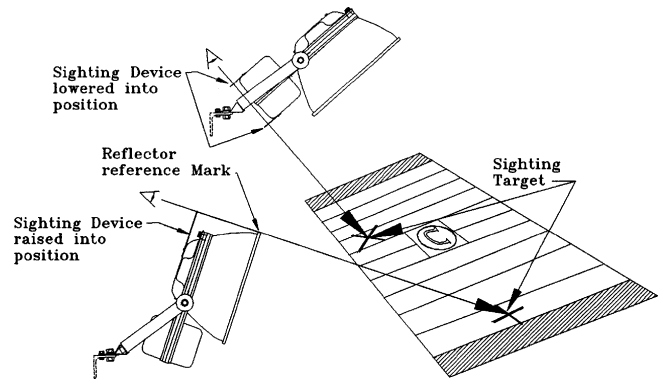
- A. Rotate sight into vertical position.
- B. Align the reference mark of top of reflector flange with notch in sight for proper aiming.

Base Sight

- A. Rotate front and back sight into vertical position.
- B. Align the two sighting holes for proper aiming.



Step 4



After positioning luminaire, tighten all mounting hardware.

STEP 5

Connect power cable to suitable supply in accordance with all applicable codes.

INSTALLATION CLEANING

DO NOT CLEAN INTERNAL OPTICAL SYSTEM

The UltraSport floodlight has been specially cleaned at the factory. Field cleaning of the internal optical system during installation is not recommended.

EXTERNAL CLEANING

Initial cleaning of the outside of the glass lens may be required to ensure optimum optical efficiency.

Clean front glass with a mild soap and water solution, rinse clean and wipe dry.

CLEANING INSTRUCTIONS AND CAUTIONS

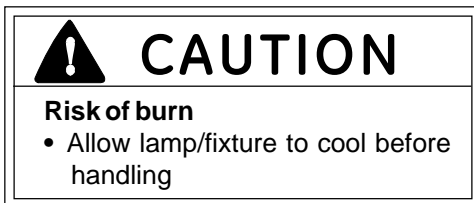
Caution: do not touch quartz tube with bare hands! If lamp is handled, finger prints, grease or oils should be removed from the lamp with isopropyl alcohol. This will remove materials which cause whitish spotting and premature lamp failure. Dry lamp carefully with cotton or clean cloth.

PERIODIC CLEANING WHEN RELAMPING INTERNAL

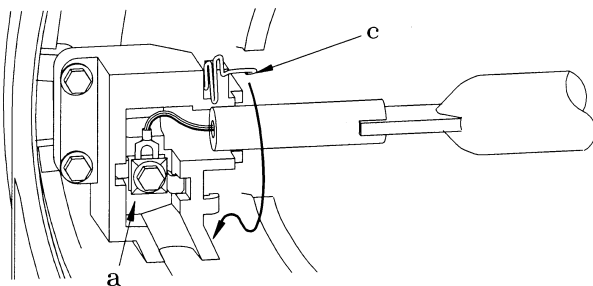
Should the internal reflector system require cleaning, use only non-abrasive, neutral (pH 6-8) cleaner containing no chlorinated or aromatic hydrocarbons. Rinse clean and wipe dry.

EXTERNAL

Clean front glass with a mild soap and water solution, rinse clean and wipe dry.

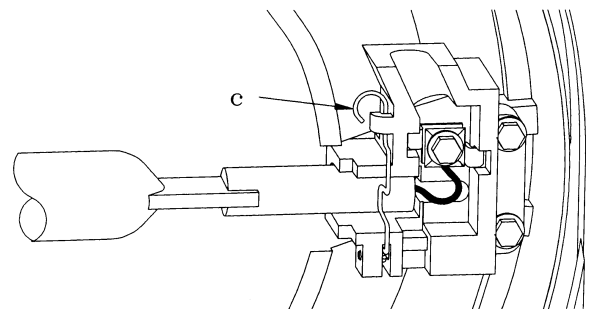


LAMP REPLACEMENT



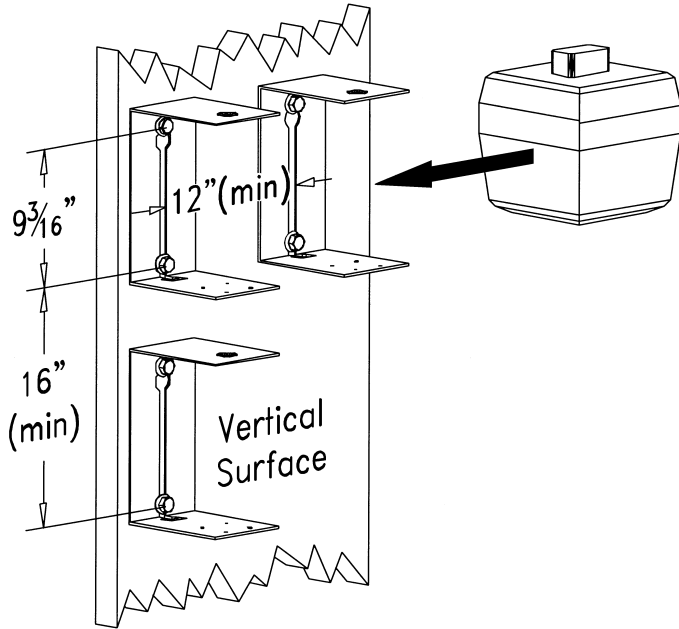
- A. Insert the lamp terminal into the socket terminal (a) at both ends of the lamp and tighten screws.

- B. Snap the lamp ends into the lamp retaining clips (b).
- C. Close and rebolt the relamping door. Tighten bolts to 50 in. lbs. torque.



REMOTE BALLAST MOUNTING

See below illustration for bolt spacing and bracket minimum spacing.





GE Lighting Solutions • 1-888-MY-GE-LED • www.gelightingsolutions.com
1-888-69-43-533

GE Lighting Solutions is a subsidiary of the General Electric Company. Evolve and other trademarks belong to GE Lighting Solutions. The GE brand and logo are trademarks of the General Electric Company.
© 2011 GE Lighting Solutions. Information provided is subject to change without notice. All values are design or typical values when measured under laboratory conditions.