



ULTRA★SPORT™ FLOODLIGHT

APPLICATIONS

- IESNA Class III to major stadiums where premium quality lighting and excellent glare control are required.
- Large stadiums and indoor arenas where color TV (CTV) recording and broadcasting will be common, and excellent color and vertical illumination are required.
- Sports fields and arenas where optional instant hot restart is desired.

SPECIFICATION FEATURES

- 1598 Listed
Suitable For Wet Locations
- High reflectance coated glass primary reflector, ALGLAS® finish on 20-inch (508mm) diameter aluminum front secondary reflector
- Optional internal glare/spill light control arc cutoff skirts
- Rear re-lamping door with corrosion-resistant fasteners and lamp power disconnect
- Broken Glass Shutdown Circuit
- Optional Instant Hot Restart
- Compact die-cast aluminum integral ballast housing with thermally isolated optical
- Utilizes advanced 2000, 1500 and 1000 watt double-ended metal halide lamps
- Hydro★Gard™ advanced filtering system
- Remote ballast system available—contact factory
- Magnapack packaging available

ULTRA★SPORT FLOODLIGHTING

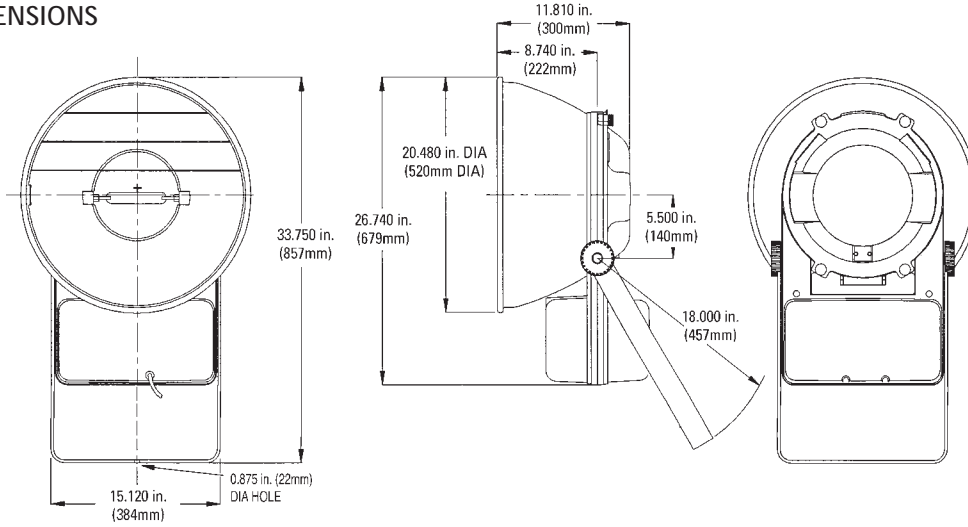
F

ORDERING NUMBER LOGIC

ULTS	O2	M	5	A	MO2	P
PRODUCT IDENT	WATTAGE	LIGHT SOURCE	VOLTAGE	BALLAST TYPE	OPTICAL	OPTIONS
XXXX	XX	X	X	X	XXX	XXX
ULTS = Ultra★Sport (See Note #1) ULTK = Ultra★Sport with Instant Hot Restart (See Note #1, 4, 5) ULTI = Ultra★Sport Indoor Remote Ballast (See Note #2) ULTR = Ultra★Sport Indoor Remote Ballast with Instant Hot Restart Max. Ambient 40°C 1500W (See Note #2, 4, 5) ULTO = Ultra★Sport Outdoor Remote Ballast (See Note #1) ULTT = Ultra★Sport Outdoor Remote Ballast with Instant Hot Restart (See Note #1, 2, 4, 5) ULTE = Ultra★Sport with Integral Encapsulated Ballast. (See Note #3) NOTE: Hot Restart option available in 1500 watt and 2000 watt only. 2000 watt Remote Ballast version is non-UL. NOTE: 1. Outdoor Use only 2. Max 55°C ambient 3. Contact factory 4. Must have "P" option. 5. Multivolt not offered.	51 = 1500 02 = 2000	M = MH NOTE: Lamp orientation is horizontal ±4 degrees Standard: Lamp installed in socket.	60Hz 0 = 120/208/240/277 Multivolt 1 = 120 2 = 208 3 = 240 4 = 277 5 = 480 D = 347 T = 220 50Hz 6 = 220 R = 230 Y = 240	See Ballast and Photometric Selection Table A = Autoreg B = System 2™ Bi-Level Controls Autoreg (see Technical Section) NOTE: Not available with ULTK, ULTR, or ULTT (Hot Restart) K = Hot Restart for ULTE	SO1 = Stadium Oval <i>without</i> Internal Glare Control (NEMA 4X2) SO2 = Stadium Oval <i>with</i> Internal Glare Control (NEMA 4X2) MO1 = Medium Oval <i>without</i> Internal Glare Control (NEMA 4X2) MO2 = Medium Oval <i>with</i> Internal Glare Control (NEMA 4X2) WO1 = Wide Oval <i>without</i> Internal Glare Control (NEMA 5X3) WO2 = Wide Oval <i>with</i> Internal Glare Control (NEMA 5X3) WW1 = Extra wide oval <i>without</i> Internal Glare Control (NEMA 5X4) WW2 = Extra wide oval <i>with</i> Internal Glare Control (NEMA 5X4)	F = Fusing (Not available with multivolt nor with Instant Hot Restart) P = Pre-wired with 6-ft (2M) #14/3

ULTRA★SPORT™ FLOODLIGHT

DIMENSIONS



DATA

Approximate Net Weight	lbs	kgs
ULTS	75	34
ULTK, ULTE	80	36.3
Effective Projected Area	3.1 sq ft max	.29 sq M max
ULTO, ULTI	55	25
ULTT, ULTR	60	27.2

BALLAST AND PHOTOMETRIC SELECTION TABLE

All light sources are clear unless otherwise indicated.

Wattage	Light Source	Ballast Type All Voltages	Socket Position	Photometric Curve Number 35-xxxxxx (Actual Beam Angle in Degrees)							
				S01	S02	M01	M02	W01	W02	WW1	WW2
1500	MH	A,B**	Fixed	452810	452811	452812	452813	452814	452815	452816	452817
2000*	MH	A,B**	Fixed	179085(61x21)	179086(65x22)	179087(64x24)	179088(70x24)	179089(81x38)	179090(81x37)	179412(73x53)	179413(74x54)

NOTE: † Not available in 220 volt or in Hot Restart versions.

*Not available in multivolt or single 120 volt.

**Bi-Level not available with Instant Hot Restart

REFERENCES

See Page F-32 for start of Accessories.

See Pages F-47 for Explanation of Options and Other Terms Used.

See Pole and Bracket Section Page P-2 for pole selection.