

# QUARTZ-FLOOD FLOODLIGHT



## APPLICATIONS

- Building facades, signs, sports fields, and other general floodlighting applications
- Emergency and temporary floodlighting applications
- Particularly suited where instant on light, high color rendition, or low initial cost is important.

## SPECIFICATION FEATURES

- / 1598 Listed  
**Suitable For Wet Locations**
- Die-cast aluminum construction
- Tempered glass door
- Hinged front door
- Alzak<sup>†</sup> finish on aluminum reflector
- One-half inch threaded swivel mount
- Dark bronze
- 25°C maximum ambient temperature

**F**

FLOOD LIGHTING



## ORDERING NUMBERS

ORDERING NUMBER	WATTAGE	LIGHT SOURCE	LAMP	COLOR
QF30DB	300	Filament (Quartz-Halogen)	Included-120V	Dark Bronze
QF50DB	500	Filament (Quartz-Halogen)	Included-120V	Dark Bronze
QF1500	1500	Filament (Quartz-Halogen)	Not included*	Dark Bronze

\* Lamp Determines Voltage

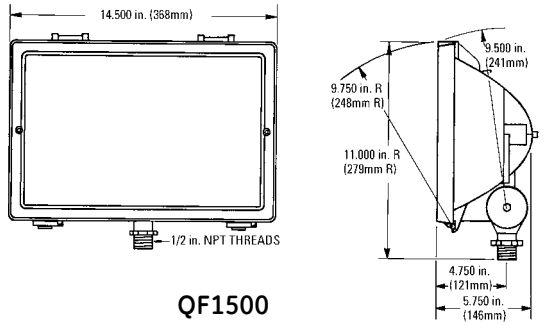
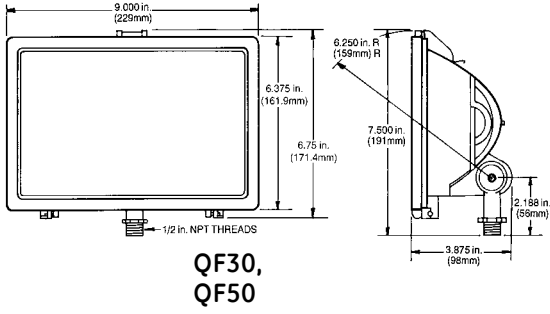
## REFERENCES

See Page F-32 for start of Accessories.

See Pages F-47 for Explanation of Options and Other Terms Used.

# QUARTZ-FLOOD FLOODLIGHT

## FIXTURE DIMENSIONS



## DATA

Approximate Net Weight	lbs	kgs
QF30, QF50	2.5	1
QF1500	8.0	4
Effective Projected Area		
QF30, QF50	.5 sq ft max	.46 sq M max
QF1500	1.5 sq ft max	.10 sq M max

## PHOTOMETRIC SELECTION TABLE

Wattage	Light Source	NEMA Type Beam Spread Horiz X Vert (Degrees)	Photometric Curve Number 35-17 - - - -
300	Q300T3/CL	6X5 (110X89)	7546
500	Q500T3/CL/120	6X5 (117X89)	6555
1500	Q1500T3/CL/208	6X5 (126X88)	7357
	/240	6X5 (126X88)	7357
	/277	6X5 (126X88)	7357