



POWR•SPOT® FLOODLIGHT with Glare Reduction

APPLICATIONS

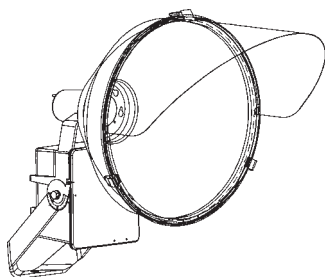
- Recreational and competition sports fields at all levels.
- General floodlighting where long setbacks or high mountings require maximum optical performance.
- Especially suitable at sites requiring glare reduction and light trespass limitation.

SPECIFICATION FEATURES

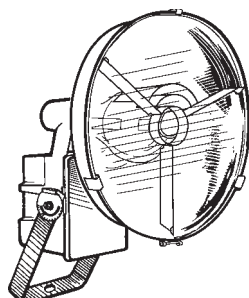
- 1598 Listed
Suitable For Wet Locations
- Die-cast aluminum ballast housing with acrylic electrocoat gray paint finish inside and out
- Enclosed, gasketed, filtered optical with configured, ALGLAS® finish on 20-inch (508mm) diameter aluminum reflector and tempered glass closure
- Thermal separation of ballast from socket and lamp
- Removable cover for access to ballast and wiring compartment
- No-weep-hole condensate drain when aimed down
- Built-in cable and strain relief bushing
- Heavy gauge steel trunnion with aiming reset stop
- Corrosion-resistant hardware
- Position oriented socket available for "minimum" tilt factor lamp-contact factory
- Remote ballasted system available – contact factory
- Mogul base socket – E39 standard

ORDERING NUMBER LOGIC

PSGN	51	M	0	A	2	CO	HDO	P
PRODUCT IDENT	WATTAGE	LIGHT SOURCE	VOLTAGE	BALLAST TYPE	TRUNNION TYPE	REFLECTOR IDENT	OPTICAL REFLECTOR	OPTIONS
XXXX	XX	X	X	X	X	XX	XXX	XXX
PSGN = Powr•Spot III Floodlight with 20-in. (508mm) diameter Reflector and with Internal Glare Reduction Louvers Mounted on Door	40= 400 75= 750 01= 1000 51= 1500	S = HPS M = MH Standard: Lamp not included.	60Hz 0 = 120/208/ 240/277 Multivolt 1 = 120 2 = 208 3 = 240 4 = 277 5 = 480 D = 347 T = 220 50Hz 6 = 220 Y = 240	See Ballast and Photometric Selection Table A = Autoreg	1 = Straight 2 = Angled 3 = Long (for SportsStar) 4 = Straight w/CAA-001	Select ID. from Ballast and Photometric Selection Table. BO CO DO EO	See Dimensions HDO = Heavy Duty 20-in. (508mm) Diameter GPO = General Purpose 20-in. (508mm) Diameter	F = Fusing (Not available with multivolt nor with Instant Hot Restart) P = Pre-wired with 6-ft (2M) #14/3
PSGV = Powr•Spot III Floodlight with 20-in. (508mm) diameter Reflector and with External Glare Reduction Visor Mounted on Door								



PSGV

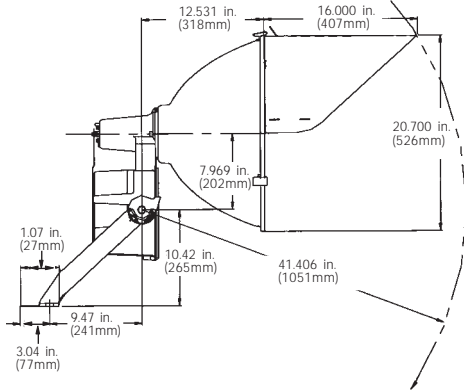


PSGN

POWR•SPOT® FLOODLIGHT with Glare Reduction

DIMENSIONS

SOLID LINE
DOTTED LINE—HEAVY DUTY OPTICAL



DATA

Approximate Net Weight	55-65 lbs	25-29 kgs
Effective Projected Area		
PSGN	2.7* sq ft max	.24* sq M max
PSGV, PSGC	3.25 sq ft max	.30 sq M max
*When aimed 30° down		

BALLAST AND PHOTOMETRIC SELECTION TABLE

All light sources are clear unless otherwise indicated.
All Ballast are Autoreg

Product ID	Wattage	Light Source	Designate 20-inch (508mm) Reflector by Reflector ID.				
			Photometric curve number 35-xxxxxx and Beam Angle in degrees				
			A2	B0	C0	D0	E0
PSGN	400	HPS	N/A	450593(37X30)	450401(50X39)	450575(60X49)	450560(76X64)
	750	HPS	N/A	N/A	N/A	450535(73X53)	450538(105X78)
	400	MH	N/A	450524(31X27)	450337(54X19)	450529(99X74)	N/A
	1000	MH	452775(23X22)	452788(39X36)	452787(55X50)	452790(86X67)	452789(107X91)
	1500	MH	452742(23X22)	452754(43X37)	452757(60X49)	452756(61X52)	452755(104X91)
PSGV	400	HPS	N/A	450329(37X34)	179263(52X47)	450327(61X57)	450328(81X74)
	750	HPS	N/A	N/A	N/A	450533(79X75)	450536(105X96)
	400	MH	N/A	450331(31X29)	450332(57X48)	N/A	450330(90X79)
	1000	MH	452774(23X23)	452791(40X41)	452792(55X55)	452794(84X75)	452793(111X97)
	1500	MH	452747(24X23)	452761(41X40)	452760(57X53)	452758(62X59)	452759(94X91)

NOTE: N/A = Not Available
*347 volts not available in multivolt.

NOTES: For indoor indirect lighting applications with 1000 watt or greater, GELS recommends replacing tempered front glass lens with wire guard accessory WG-PSFO.

For facade or applications with aiming fixture above horizontal, contact factory.

REFERENCES

See Page F-32 for start of Accessories.
See Pages F-46 for Component Ordering Logic.
See Pages F-47 for Explanation of Options and Other Terms Used.
See Pole and Bracket Section Page P-2 for pole selection.