



# POWR•SPOT® FLOODLIGHT

## APPLICATIONS

- Recreational and competition sports fields at all levels.
- General floodlighting where revolving reflectors are needed.

## SPECIFICATION FEATURES

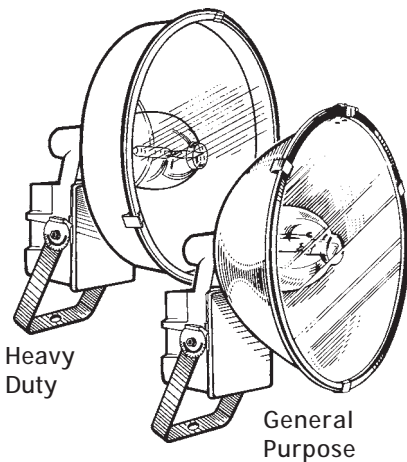
- 1598 Listed Suitable For Wet Locations
- Die-cast aluminum ballast housing with acrylic electrocoat gray paint finish inside and out
- Enclosed, gasketed, filtered optical with ALGLAS® finish on aluminum reflector and tempered glass closure
- Thermal separation of ballast from socket and lamp
- Removable cover for access to ballast and wiring compartment
- No-weep-hole condensate drain when aimed down
- Built-in cable and strain relief bushing
- Heavy gauge steel trunnion with aiming reset stop
- Mogul base socket – E39 standard with lamp stabilizer 1000 & 1500 watt
- Corrosion-resistant hardware
- Position oriented socket available for “minimum” tilt factor lamp – contact factory
- Field convertible glare reduction available. See Accessories.
- Remote ballasted system available – contact factory

POWR•SPOT FLOODLIGHTING

F

## ORDERING NUMBER LOGIC

PSFA	51	M	0	A	2	3	HDO	P
PRODUCT IDENT	WATTAGE	LIGHT SOURCE	VOLTAGE	BALLAST TYPE	TRUNNION TYPE	NEMA TYPE BEAM SPREAD HORIZ X VERT	OPTICAL REFLECTOR	OPTIONS
XXXX	XX	X	X	X	X	X	XXX	XXX
PSFA = Standard Powr•Spot Floodlight all opticals.	40= 400 75= 750 01= 1000 51= 1500	S = HPS M = MH Standard: Lamp not included.	60Hz 0 = 120/208/ 240/277 Multivolt 1 = 120 2 = 208 3 = 240 4 = 277 5 = 480 D = 347 T = 220  50Hz 6 = 220 Y = 240	See Ballast and Photometric Selection Table  A = Autoreg	1 = Straight 2 = Angled 3 = Long (for SportsStar™ (13.750”) 4 = Straight Trunnion with CAA-001	Select NEMA Type from Ballast and Photometric Selection Table. Example: 3 = 3 x 3	See Dimensions HDO = Heavy Duty 20-in. (508mm) Diameter GPO = General Purpose 20-in. (508mm) Diameter HD2 = Heavy Duty 22-in. (559mm) Diameter GP2 = General Purpose 22-in. (559mm) Diameter	F = Fusing (Not available with multivolt) P = Pre-wired with 6-ft (2M) #14/3



## OPTICAL COMPONENT LOGIC

OPTICAL COMPONENT LOGIC	MH		HPS			CHOOSE A, B, C, D, E, FROM TABLE USING BEAM SPREAD AND LAMP TYPE	
	1500W 51	1000W 01	400W 40	1000W 01	400W 40		750W 75
A	2	2	1	N/A	N/A	N/A	HD2 or GP2
B	3	3	3*	N/A	3	3	GPO or HDO
C	4	4	3	N/A	4	4	
D	5	5	5	N/A	5	5	
E	6	6	6	5	6	6	

NOTE: \*Not standard. Better equivalent distributions exist. N/A=Not Available

## REFERENCES

- See Page F-32 for start of Accessories.
- See Pages F-46 for Component Ordering Logic.
- See Pages F-47 for Explanation of Options and Other Terms Used.
- See Pole and Bracket Section Page P-2 for pole selection.

# POWR•SPOT® FLOODLIGHT

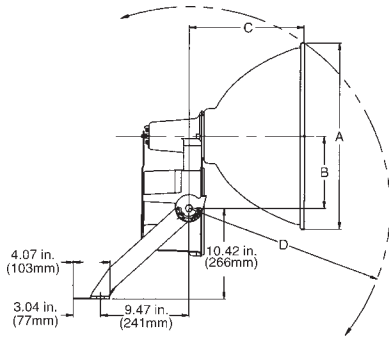
## DIMENSIONS

SOLID LINE—HEAVY DUTY OPTICAL  
 DOTTED LINE—GENERAL PURPOSE OPTICAL

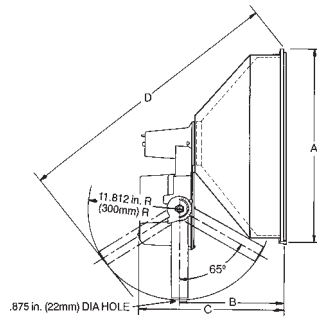
Optical	A DIA	B	C	D
22-in.	23.000	7.969	12.625	23.050
559mm	584	203	321	586
20-in.	20.700	7.969	12.531	22.250
508mm	526	203	318	555

Optical	A DIA	B	C	D
22-in.	23.000	12.438	17.875	34.312
559mm	584	316	454	872
20-in.	20.700	12.575	18.000	31.312
508mm	526	319	457	795

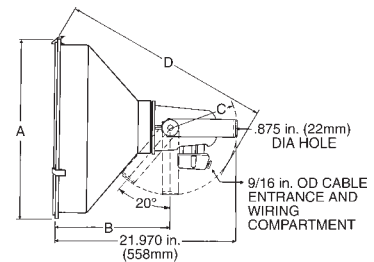
Optical	A DIA	B	C Radius	D Min.
22-in.	23.000	13.000	9.000	26.500
559mm	584	330	229	673
20-in.	21.000	13.000	9.000	26.000
508mm	533	330	229	660



**Angled Trunnion**



**Straight Trunnion**



**Remote Socket Holder**  
 Order Reflector Separate

### DATA

Approximate Net Weight	55-65 lbs	25-29 kgs
Effective Projected Area	2.7* sq ft max	.24* sq M max
	3.0 sq ft max	.28 sq M max

\*When aimed 30°/22-in. down

### OPTICAL/LAMP HOLDER

Does not include reflector

Wattage	Light Source	Ordering Number	Maximum Separation Optical and Ballast
400	HPS	PSFC40S	10 ft (3 M)
750	HPS	PSFC75S	10 ft (3 M)
400	MH	PSFC40M	NOTE*
1000/1500	MH	PSFC95M	NOTE*

NOTE: \*No limitation except voltage drop in the cable must not exceed five volts.  
 See "Components By Example" on page F-46 for Reflector/Optical Ordering Logic.

## BALLAST AND PHOTOMETRIC SELECTION TABLE

All light sources are clear unless otherwise indicated.

Wattage	Light Source	Ballast Type All Voltages***	Reflectors Listed by Diameter, Photometric Curve Number 35-XXXXXX, and Actual Beam Angle in degrees					
			NEMA Type Beam Spread (Horizontal X Vertical)					
			22-in. (559mm) Diameter			20-in. (508mm) Diameter		
			1 = 1X1	2 = 2X2	3 = 3X3	4 = 4X4	5 = 5X5	6 = 6X6
400	HPS	A	175663(12X12)	175664(20X20)	177613(38X34)	179262(51X47)	177463(61X57)	N/A
750	HPS	A**H	N/A	179186	N/A	178177(67X64)	178178(77X76)	178179(110X107)
400	MH	A	179871(13X12)	175952(27X27)	177468(33X29)	179677(60X48)	177466(84X84)	N/A
1000	MH	A	N/A	452777(23X23)*	452778(40X42)	452779(55X57)	452782(85X79)	452781(109X111)
1500***	MH	A	N/A	452746(23X22)*	452739(44X44)	452740(60X59)	452741(70X68)	452744(107X107)

NOTE: N/A = Not Available

NOTE: \*Premium high performance 22-in. (559mm) NEMA Type 2 optical available – contact factory for photometric data.

\*\*Multivolt not available

\*\*\*347 volts not available in multivolt.

NOTES: For facade and indirect lighting applications with 1500 watt or greater, GELS recommends adding wire guard accessory WG-PSFO or WG-PSFHD2.

For facade or applications with aiming fixture above horizontal, contact factory.

**GE Lighting Systems, Inc.**

www.gelighting.com

POWR•SPOT FLOODLIGHTING

F