

# ACCESSORIES

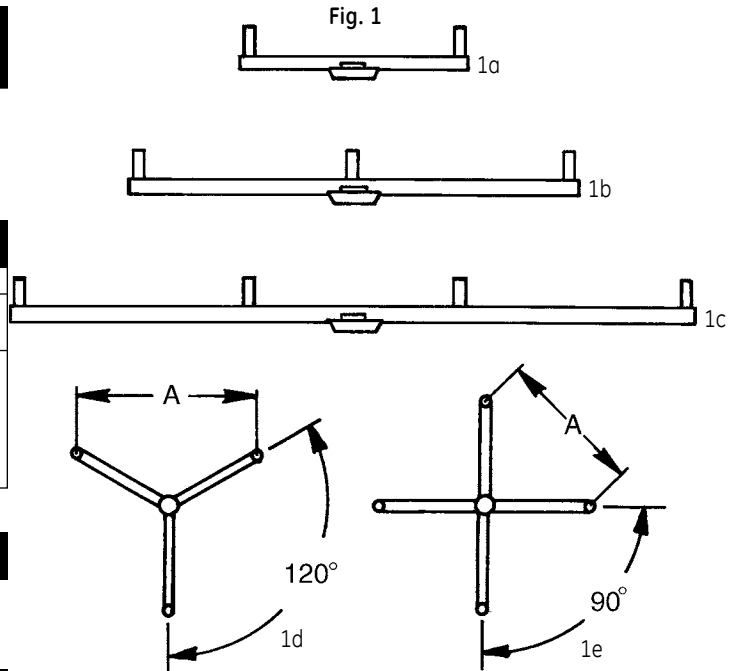
For more Decorative Arm selections, go to [www.gelightingsolutions.com](http://www.gelightingsolutions.com) StreetDreams™ Brochure OLP-2770C.

## FLOODLIGHTING BRACKETS FOR ALUMINUM POLES WITH PLATE MOUNT

Floodlighting bracket, aluminum, for mounting on aluminum poles, **plate mount only**. Bracket mounts multiple luminaires on 2-3/8-in. OD tenons.

### BRACKET SELECTION TABLE

Number/ Placement Tenons	See Fig.	Ordering Number	Adjacent Tenon Spacing A (in.)	Tenon Top OD (in.)	Bracket Size	
					Weight (lbs)	EPA (sq ft)
2 in line	1a	FBAPB2TT	33	2-3/8	5	0.6
3 in line	1b	FBAPC2TT	33	2-3/8	8	1.1
4 in line	1c	FBAPD2TT	33	2-3/8	11	1.6
3 at 120°	1d	FBAPE2TT	41	2-3/8	10	0.7
4 at 90°	1e	FBAPF2TT	34	2-3/8	13	0.8



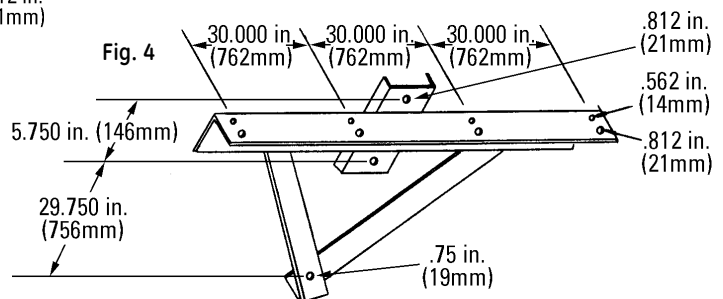
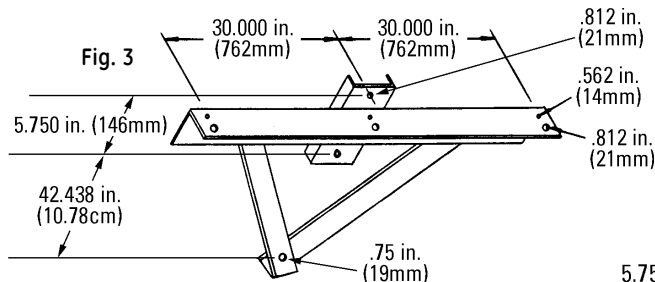
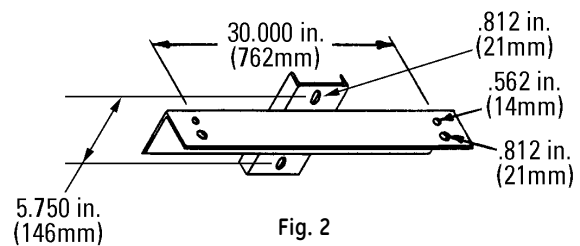
## SPORTS LIGHTING CROSSARM BRACKETS

Sports lighting bracket, steel crossarm for mounting 2, 3, or 4 floodlights on wood poles.

### BRACKET SELECTION TABLE

Number of Floodlights	See Fig.	Pole Material	Ordering Number	Bracket Size	
				Weight (lbs)	EPA (sq ft)
2	2	wood	SBSXBWPP	21	1.4
3	3	wood	SBSXCWPP	54	3.9
4	4	wood	SBSXDWPP	65	4.8

**NOTE:** If bracket is to be used for retrofitting an existing steel pole, substitute **S** for **W** in ordering number listed in Selection Table.  
**NOTE:** All brackets are prime painted. For galvanized brackets, contact factory.



**P**  
POLES & BRACKETS  
LIGHTING

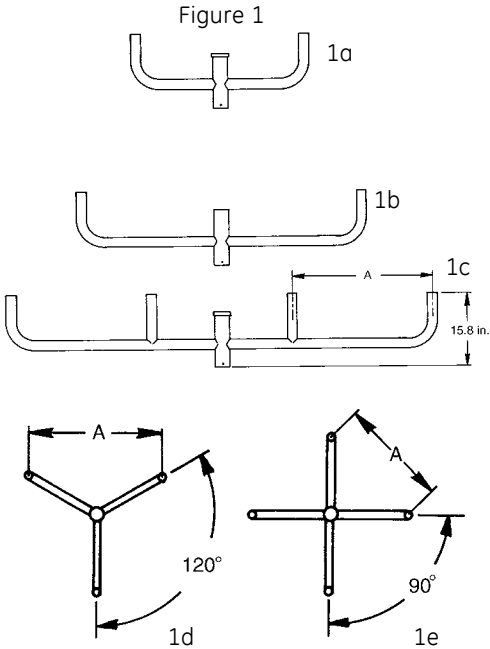
# ACCESSORIES

## FLOODLIGHTING BRACKETS, STEEL BULLHORN

Floodlighting bracket steel bullhorn for pole with 2-3/8 in. or 4 in. OD top tenon. Bracket has 2-3/8 in. top OD and is prime painted.

BRACKET SELECTION TABLE									
Number/ Placement Tenons	See Fig.	Recommended Size of Each Luminaire		Ordering Number	Adjacent Tenon Spacing A (in.)	Luminaire Mounting OD (in.)	Bracket Size		
		Max Weight (lbs)	Max EPA (sq ft)				Weight (lbs)	EPA (sq ft)	
<b>BRACKETS TO FIT POLES HAVING 2-3/8 IN. OD TOP TENON</b>									
2 in line	1a	100	5.0	FBSB2B2TTPP	36	2-3/8	21	1.0	
3 in line	1b	100	3.8	FBSB2C2TTPP	30	2-3/8	32	1.6	
4 in line	1c	100	3.0	FBSB2D2TTPP	30	2-3/8	44	2.3	
3 at 120°	1d	100	3.8	FBSB2E2TTPP	41	2-3/8	34	1.3	
4 at 90°	1e	100	3.0	FBSB2F2TTPP	34	2-3/8	44	1.6	
<b>BRACKETS TO FIT POLES HAVING 4 IN. OD TOP TENON</b>									
3 in line	1b	125	6.0	FBSB4C2TTPP	36	2-3/8	37	1.9	
4 in line	1c	125	6.0	FBSB4D2TTPP	36	2-3/8	67	2.6	
3 at 120°	1d	125	6.0	FBSB4E2TTPP	41	2-3/8	38	1.5	
4 at 90°	1e	125	6.0	FBSB4F2TTPP	34	2-3/8	48	1.6	

**NOTE:** All brackets are prime painted. For galvanized brackets, substitute **GV** for **PP** in ordering number listed in Selection Table.

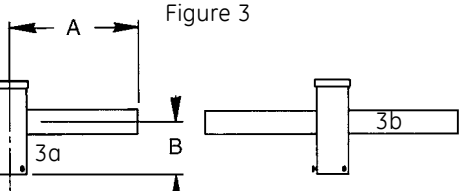
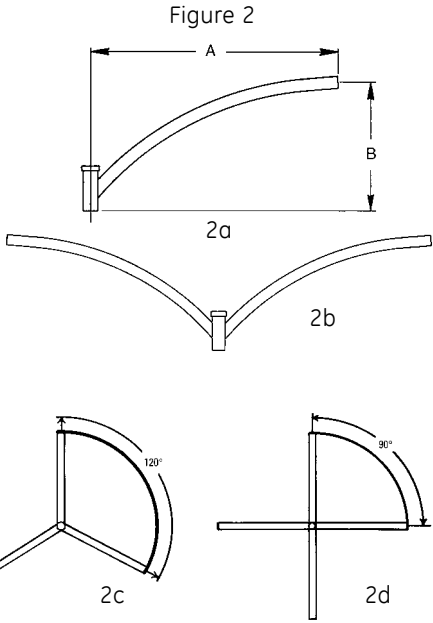


## ROADWAY BRACKETS, STEEL UPSWEEP AND STRAIGHT FOR 2-3/8 IN. OD POLE TOP TENONS

Roadway bracket steel upswEEP or straight, for poles with 2-3/8 in. OD pole top tenons. Bracket has 2-3/8 in. OD and is prime painted.

BRACKET SELECTION TABLE									
Number/ Placement Tenons	See Fig.	Bracket Dimensions		Recommended Size of Each Luminaire		Ordering Number	Luminaire Mounting OD (in.)	Bracket Size	
		A (ft)	B (in.)	Max Weight (lbs)	Max EPA (sq ft)			Weight (lbs)	EPA (sq)
<b>STEEL UPSWEEP BRACKET FOR 2-3/8 IN. OD TOP TENON</b>									
1	2a	6	24	75	2.0	RBSU2H6PP	2-3/8	29	1.5
2 at 180°	2b	6	24	75	2.0	RBSU2J6PP	2-3/8	54	2.8
3 at 120°	2c	4	24	75	2.0	RBSU2K4PP	2-3/8	76	1.8
4 at 90°	2d	4	24	75	2.0	RBSU2L4PP	2-3/8	99	2.9
<b>STEEL STRAIGHT BRACKET FOR 2-3/8 IN. OD TOP TENON</b>									
1	3a	2	5	125	6.0	RBSS2H2PP	2-3/8	12	0.6
2 at 180°	3b	2	5	125	6.0	RBSS2J2PP	2-3/8	18	1.0
3 at 120°	2c	2	5	125	6.0	RBSS2K2PP	2-3/8	26	1.0
4 at 90°	2d	2	5	125	6.0	RBSS2L2PP	2-3/8	32	1.4

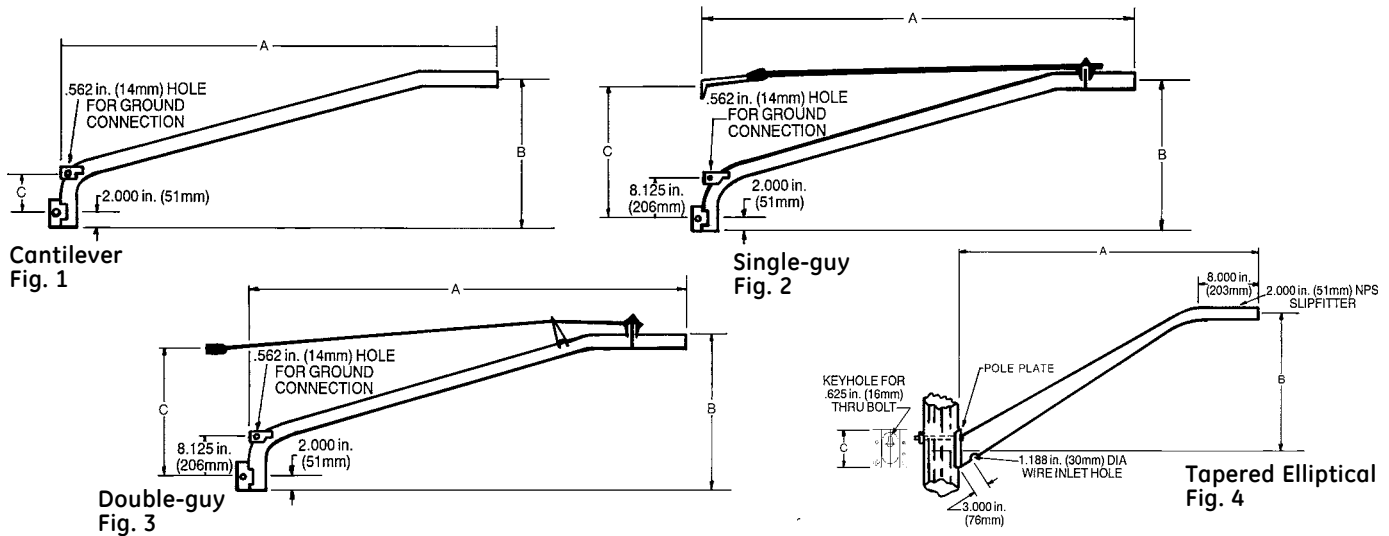
**NOTE:** All brackets are prime painted. For galvanized brackets, substitute **GV** for **PP** in ordering number listed in Selection Table.



# ACCESSORIES

## ROADWAY BRACKETS FOR WOOD POLE MOUNTING

Roadway bracket aluminum or galvanized steel for mounting on wood poles, pipe sizes from 1-1/4 to 2-in. (32 to 51mm).



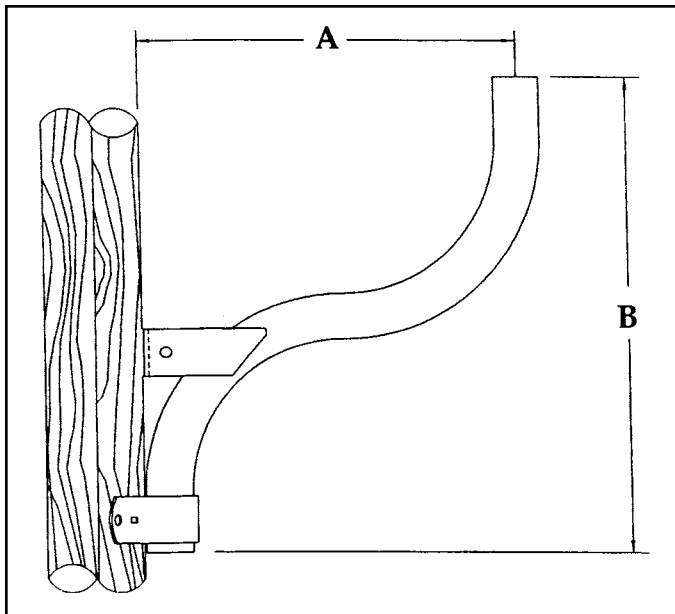
### BRACKET SELECTION TABLE Thru bolts and lag screws not included

Nominal Length		See Fig.	Recommended Size of Each Luminaire 80 MPHI (For high wind velocities, consult factory)				Ordering Number	Pipe Size		Bracket Dimensions						Weight	
(ft)	(M)		Max Weight (lbs)	(kgs)	Max EPA (sq ft)	(sq M)		(in.)	(mm)	A		B		C		(lbs)	(kgs)
											(in.)	(mm)	(in.)	(mm)	(in.)	(mm)	
<b>ALUMINUM PIPE BRACKETS</b>																	
4	1.2	1	40	18	0.9	0.08	RBACWH4X1.25	1-1/4	32	45	1143	18-9/16	217	8-1/4	210	3.5	1.6
4	1.8	1	35	16	0.7	0.07	RBACWH6X1.25	1-1/4	32	69	1753	24-1/16	611	8-1/4	210	4.5	2.0
2.5	0.8	1	90	41	2.3	0.21	RBACWH2.5X2	2	51	30	762	15-1/8	384	8-1/4	210	3.5	1.6
4	1.2	1	70	32	1.8	0.17	RBACWH4X2	2	51	45	1143	18-3/8	467	8-1/4	210	4.5	2.0
6	1.8	1	50	23	1.4	0.13	RBACWH6X2	2	51	69	1753	24	610	8-1/4	210	6.0	2.7
6	1.8	2	80	36	1.4	0.13	RBAGWH6X2	2	51	69	1753	24	610	21	533	7.5	3.4
8	2.4	2	60	27	0.7	0.07	RBAGWH8X2	2	51	93	2362	29-5/8	752	23	584	9.5	4.3
8	2.4	3	70	32	1.4	0.13	RBADWH8X2	2	51	93	2362	29-5/8	752	23	584	12.5	5.7
10	3.0	3	50	23	0.9	0.08	RBADWH10X2	2	51	117	2972	35-1/4	895	25	635	14.5	6.6
12	3.7	3	40	18	0.7	0.07	RBADWH12X2	2	51	141	3581	40-7/8	1038	27	686	16.5	7.5
<b>GALVANIZED STEEL PIPE BRACKETS</b>																	
2.5	0.8	1	90	41	2.3	0.21	RBSCWH2.5X1.25GV	1-1/4	32	30	762	15-1/4	387	8-1/4	210	7.5	3.4
4	1.2	1	70	32	1.8	0.17	RBSCWH4X1.25GV	1-1/4	32	45	1143	18-7/16	468	8-1/4	210	10.0	4.5
6	1.8	1	45	21	1.4	0.13	RBSCWH6X1.25GV	1-1/4	32	69	1753	14-1/16	357	8-1/4	210	14.0	6.3
2.5	0.8	1	90	41	2.8	0.26	RBSCWH2.5X2GV	2	51	30	762	15-1/8	384	8-1/4	210	11.0	5.0
4	1.2	1	90	41	2.3	0.21	RBSCWH4X2GV	2	51	45	1143	18-3/8	467	8-1/4	210	15.5	7.0
6	1.8	1	70	32	2.0	0.19	RBSCWH6X2GV	2	51	69	1753	24	610	8-1/4	210	21.0	9.5
8	2.4	1	45	20	1.4	0.13	RBSCWH8X2GV	2	51	93	2362	29-5/8	752	8-1/4	210	27.5	12.5
10	3.0	2	60	27	1.2	0.11	RBSGWH10X2GV	2	51	117	2972	35-1/4	895	25	635	37.5	17.0
12	3.7	2	50	23	0.7	0.07	RBSGWH12X2GV	2	51	141	3581	40-3/8	1026	27	686	45.0	20.4
14	4.3	3	40	18	0.7	0.07	RBSDWH14X2GV	2	51	165	4191	46-1/2	1181	30	762	58.5	26.5
16	4.9	3	35	16	0.7	0.07	RBSDWH16X2GV	2	51	189	4801	52-1/8	1324	33	838	66.0	29.9
4	1.2	NOTE	90	41	2.3	0.21	RBSPWH4X2GV	2	51	45	1143	18-3/8	467	8-1/4	210	16.0	7.3
<b>ALUMINUM TAPERED ELLIPTICAL BRACKETS</b>																	
4	1.2	4	55	25	1.6	0.15	RBATWH4X2	2	51	42	1067	16	406	4-5/8	117	6.0	2.7
6	1.8	4	53	24	1.6	0.15	RBATWH6X2	2	51	66	1676	24	610	4-3/4	121	10.0	4.5
8	2.4	4	53	24	1.2	0.11	RBATWH8X2	2	51	90	2286	30	762	6-1/8	156	14.0	6.3
10	3.0	4	44	20	1.2	0.11	RBATWH10X2	2	51	114	2896	30	762	7	178	17.0	7.7
4	1.2	NOTE	60	27	1.6	0.15	RBAPWH4X2	2	51	48	1219	30	762	15	381	9.0	4.1

NOTE: Bracket has a flat plate for wall mounting. For hole sizes and location of holes in plate, consult factory.

# MOUNTING ACCESSORIES

## SINGLE AND DOUBLE FLOODLIGHT BRACKETS



### STEEL

Ordering Number	Pipe Size	A	B	WT/LBS
SF-18P	2"	18"	23"	15
SF-07P	2"	7"	20"	11

## TENON REDUCER BRACKETS FOR POLE TOP MOUNTING (FIG. 1)

- Shipped with mounting hardware assembled
- Red primer painted (Standard)

Ordering Number	A OD (in.)	B ID (in.)	C (in.)	D (in.)	Weight (lbs)
TR-30-2P	2-3/8	3-1/4	6-1/4	4	8
TR-35-2P	2-3/8	3-13/16	6-1/4	4	10
TR-40-2P	2-3/8	4-1/4	6-1/4	4	11
TR-45-2P	3	4-1/4	6-1/4	4	12

NOTE: For hot dip galvanized, substitute "G" for "P".

## REMOVABLE TENON ADAPTER FOR SQUARE STEEL POLES (FIG. 2)

- Mounting hardware not included
- Red primer painted or hot dip galvanized

Ordering Number	A (in.)	B (in.)	C (in.)	Weight (lbs)
RTASQ-4-2P	2-3/8	3	13-3/4	7
RTASQ-4-2G	2-3/8	3	13-3/4	8
RTASQ-5-2P	2-3/8	4	13-3/4	8
RTASQ-5-2G	2-3/8	4	13-3/4	9
RTASQ-6-2P	2-3/8	5	13-3/4	17
RTASQ-6-2G	2-3/8	5	13-3/4	19

## DOUBLE RIGHT ANGLE BRACKET (FIG. 3)

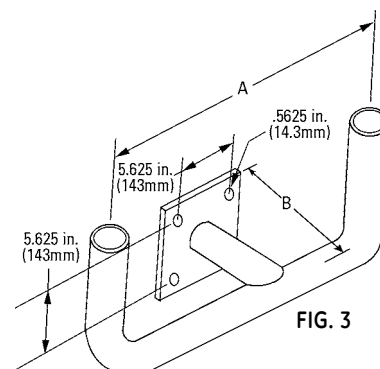
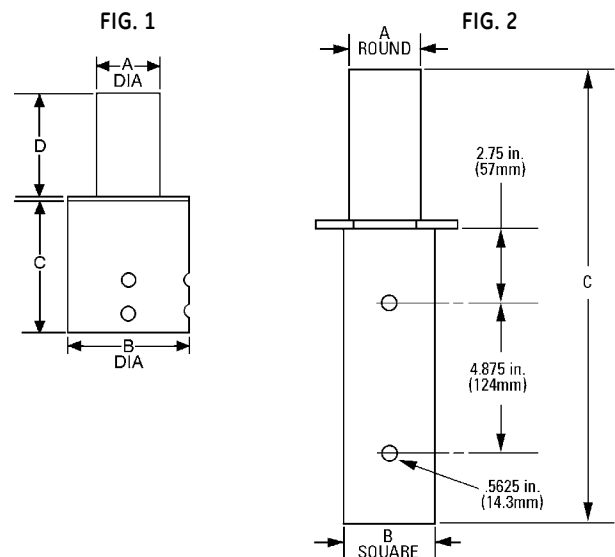
- Red primer painted

Ordering Number	A (in.)	B (in.)	Weight (lbs)
DRAB-P	30	8-1/2	22

## WOOD POLE MOUNTING

### Single Floodlight Bracket For Wood Pole Mounting

- Most items in stock for immediate shipment
- Mounting hardware not included
- Finish: Primer
- For hot dip galvanized, substitute "G" in place of "P"



# MOUNTING ACCESSORIES

## VERTICAL TENON BRACKET (FIG. 4)

- Mounting hardware not included
- Red primer painted

Ordering Number	A (in.)	B (in.)	Weight (lbs)
<b>VT2-4P</b>	2-3/8	4	5

NOTE: For hot dip galvanized, substitute "G" for "P".

## RIGHT ANGLE BRACKET FOR SQUARE STEEL POLE MOUNTING (FIG. 5)

- Mounting hardware not included
- Red primer painted

Ordering Number	Pole Size (in.)	A (in.)	B (in.)	Weight (lbs)
<b>RABX-4P</b>	4	12	13	8
<b>RABX-5P</b>	5	12	13	8
<b>RABX-6P</b>	6	12	13	9

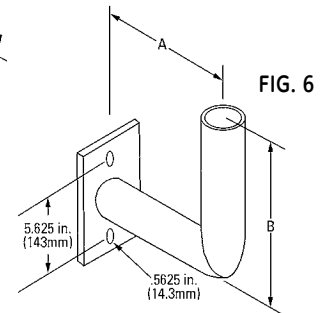
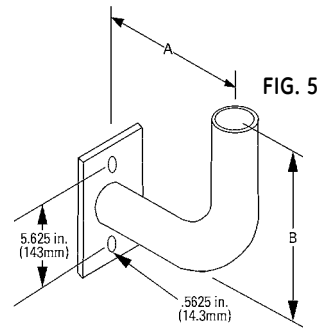
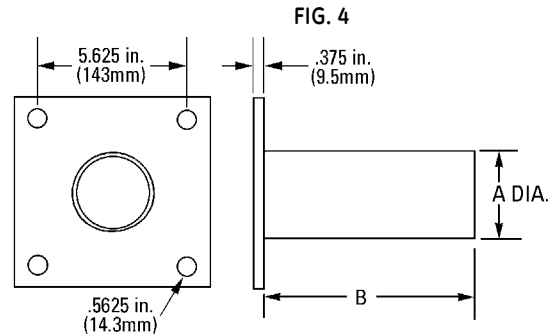
NOTE: For hot dip galvanized, substitute "G" for "P".

## RIGHT ANGLE BRACKET FOR SQUARE STEEL POLE MOUNTING (FIG. 6)

- Mounting hardware not included
- Red primer painted

Ordering Number	Pole Size (in.)	A (in.)	B (in.)	Weight (lbs)
<b>RABHX-4P</b>	4	8-1/2	8	10
<b>RABHX-5P</b>	5	8-1/2	8	10
<b>RABHX-6P</b>	6	8-1/2	8	11
<b>RABHX-14-4P</b>	4	14-1/2	8	12
<b>RABHX-14-5P</b>	5	14-1/2	8	12
<b>RABHX-14-6P</b>	6	14-1/2	8	13

NOTE: For hot dip galvanized, substitute "G" for "P".



P

POLES & BRACKETS LIGHTING