

FLOODLIGHTING ACCESSORIES

REFER TO ACCESSORY INDEX TO MATCH ACCESSORY WITH PRODUCT.
ILLUSTRATIONS SHOWN ARE TYPICAL REPRESENTATIONS.

See following Accessory pages for dimension drawings and descriptions.

LEGEND: /////////////// = Accessory can be used.

F
FLOOD LIGHTING



INDEX	Ultra* Sport	Powr• Spot III	PF-1000	Glare- fighter	HLU/VLU	PF-400	Deca- Flood	PF-154	P-154	VPF/ MPF	SBF, SBN	QF1500	QF30, QF50	CRITERION
CROSS ARM ADAPTER														
CAA-SBF														
CAA-001	////////	////////	////////	////////	////////	////////	////////	////////	////////	////////	////////	////////	////////	
AUXILIARY CROSS ARM														
CAB-001			////////	////////	////////	////////	////////	////////	////////					
FLAT SURFACE MOUNTING ADAPTER														
FSMA-SBF										////////	////////	////////	////////	
FLOODLIGHT BRACKET														
FBSFA2TTPP			////////	////////	////////	////////	////////	////////	////////					
FBSFA2TTDB			////////	////////	////////	////////	////////	////////	////////					
FBSFA2TTGR			////////	////////	////////	////////	////////	////////	////////					
FBSUWH19.5X2GV		////////	////////	////////	////////	////////	////////	////////	////////	////////				
FBSUWH31.5X2GV		////////	////////	////////	////////	////////	////////	////////	////////	////////				
FBSUWH48.5X2GV		////////	////////	////////	////////	////////	////////	////////	////////	////////				
FBSXA2TTPP	Cross-arm bracket with 2-inch vertical tenon for mounting any floodlight with 2-inch slipfitter													
FLOODLIGHT WIRING BOX														
FWBSBFPP	For use with wall mounting bracket FBSFA2TTPP (order separately)													
GLARE REDUCTION														
EVGC-PSFB		////////												
IOLA-PF1K			////////											
INGC-PS0		////////												
INGC-PS2		1												
IVGC-PS0		////////												
LA-PF1K			////////											
LINE SURGE PROTECTOR, EXPULSION TYPE														
35-411749R01			////////	////////		2								
POLYCARBONATE VANDAL SHIELD														
LVS-CFSX							////////							////////
LVS-CFMX														////////
LVS-PF1K			////////											
LVS-PF1								////////						
LVS-P15									////////					
LVS-P4F				////////		////////								
LVS-PSFHD2		1												
LVS-PSF0		////////												
LVS-SBF											////////			
LVS-VLU					////////									
MOUNTING BRACKET (FOR PE)														
MB-PECTL		////////								////////	////////			
PHOTOELECTRIC CONTROLS														
PEC0TL			////////	////////	////////	////////	////////	////////	////////	////////				
PEC1TL			////////	////////	////////	////////	////////	////////	////////	////////				
PEC5TL			////////	////////	////////	////////	////////	////////	////////	////////				
PHOTOELECTRIC CONTROL KIT														
PEK-120											////////			
PEK-240											////////			
PEK-277											////////			
PEK-347											////////			
POLE TOP ADAPTER														
PTADB-002		////////	////////	////////	////////	////////	////////	////////	////////	////////				
PTAGR-002		////////	////////	////////	////////	////////	////////	////////	////////	////////				

NOTE: 1 = PSFA, 22 in. (559mm) optical only 2 = PF4S only

FLOODLIGHTING ACCESSORIES

REFER TO ACCESSORY INDEX TO MATCH ACCESSORY WITH PRODUCT.
ILLUSTRATIONS SHOWN ARE TYPICAL REPRESENTATIONS.

LEGEND: ////////////// = Accessory can be used.

INDEX	PRODUCT													
Ordering Number	Ultra* Sport	Powr• Spot III	PF-1000	Glare- fighter	HLU/VLU	PF-400	Deca- Flood	PF-154	P-154	VPF	SBF, SBN	QF1500	QF30, QF50	CRITERION
SAFETY CABLE														
OSC-ULTS	////////	////////												
OSC-ULTS001	////////	////////												
SHORTING CAP														
SCCL-PECTL			////////	////////	////////	////////		////////	////////					
SLIPFITTER ADAPTER														
SFADB-001	////////	////////	////////	////////	////////	////////	////////	////////	////////					
SFAGR-001	////////	////////	////////	////////	////////	////////	////////	////////	////////					
SWIVEL MOUNTING ADAPTER														
SMADB-SBF										////////	////////	////////	////////	
SMAGR-SBF										////////	////////	////////	////////	
TRUNNION MOUNT														
TMDB-QF50													////////	
TMDB-QF1500												////////		
TMDB-SBF001											////////			
TMDB-SBF002											////////			
TMGR-SBF001											////////			
TMGR-SBF002											////////			
TOP AND TWO SIDES VISOR														
TSVAXXXX-CFSX							////////							////////
TSVAXXXX-CFMX														////////
TSVAXXXX-CFLX														////////
TSVAL-PF1K			////////											
TSVDB-PF1K			////////											
TSVAL-PSFHD2		////////												
TSVAL-PSF0		////////												
TSVAL-P4F				////////		////////								
TSVDB-P4F				////////		////////								
TSVDB-PF1								////////						
TSVDB-PF1001								////////						
TSVDB-P15									////////					
TSVDB-SBF											////////			
TSVAL-SBF001											////////			
TSVAL-VLU					////////									
FULL VISOR														
FVAXXXX-CFSX							////////							////////
FVAXXXX-CFMX														////////
BARN DOOR														
BDAXXXX-CFSX							////////							////////
BDAXXXX-CFMX														////////
TOP VISOR														
TVAL-PF1K			////////											
TVDB-PF1K			////////											
TVAL-VLU					////////									
VANDAL SHIELD LUMINAIRE PROTECTOR														
PPS-PF1								////////						
PPS-PF4				////////		////////								
VERTICAL MOUNTING ADAPTER														
VMA-005	////////	////////	////////	////////	////////	////////		////////	////////					
VSA-001		////////	////////	////////	////////	////////		////////	////////					
WIRE GUARD														
WG-CFSX							////////							////////
WG-CFMX														////////
WG-CFLX														////////
WG-PF1K			////////											
WG-P15									////////					
WG-P4F				////////		////////								
WG-PF1								////////						
WG-PSF0		////////												
WG-PSFHD2		////////												
WG-VLU					////////									
WOOD/METAL POLE ADAPTER														
WPA-001		////////	////////	////////	////////	////////	////////	////////	////////	////////	////////			
WPB-002		////////	////////	////////	////////	////////	////////	////////	////////	////////	////////			



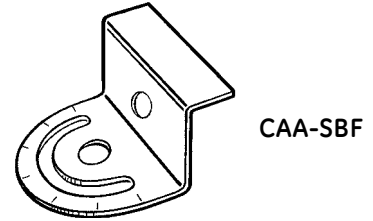
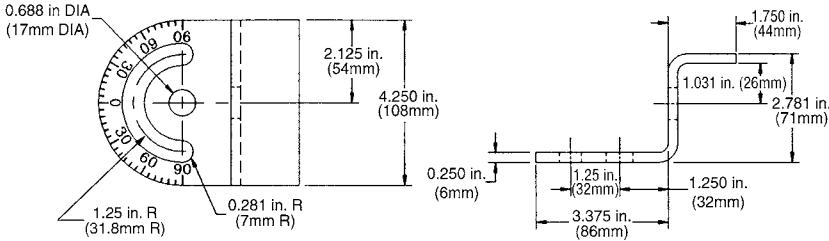
FLOODLIGHTING ACCESSORIES

REFER TO ACCESSORY INDEX TO MATCH ACCESSORY WITH PRODUCT.
ILLUSTRATIONS SHOWN ARE TYPICAL REPRESENTATIONS.

CROSS ARM ADAPTER

• CAA-SBF

For horizontal trunnion mounting with degree scale for preset aiming and 180-degree adjustment—suitable for floodlights up to 15 pounds (7 kgs) approximate net weight only, (For use with swivel mounted units, order Trunnion Mount accessory.)



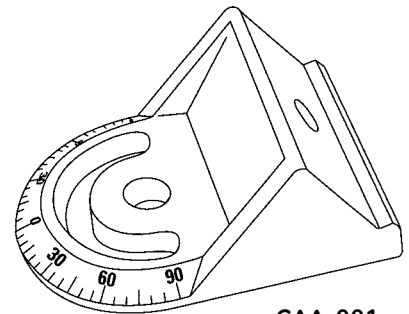
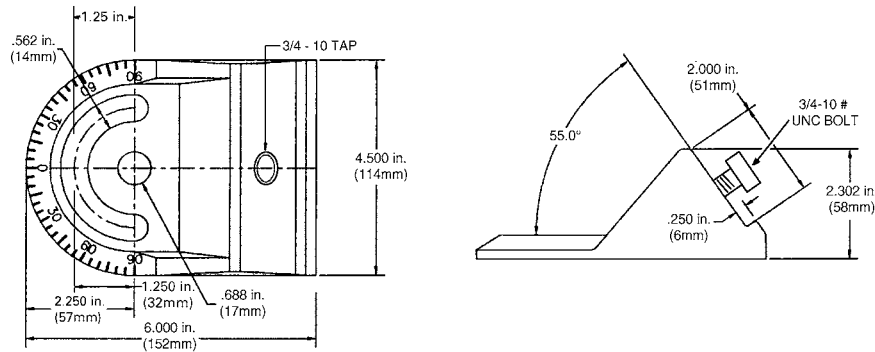
CAA-SBF

CROSS ARM ADAPTER

• CAA-001

For 35-degree trunnion mounting with degree scale for preset aiming and 180-degree adjustment.

CAUTION: This accessory should not cantilever more than 2 inches beyond front edge of support structure.

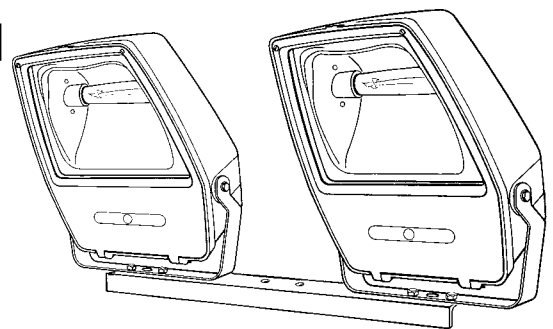
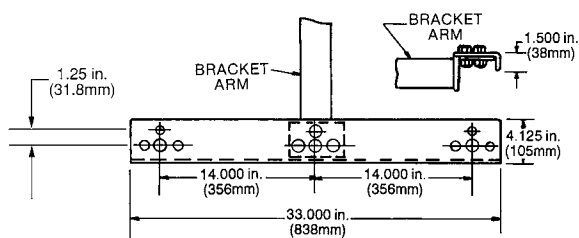


CAA-001

AUXILIARY CROSS ARM

• CAB-001

To allow mounting of two (maximum total weight 90 lbs [41 kgs] or smaller) trunnion-mounted floodlights on upsweep brackets (FBSUWH19.5X2GV, FBSUWH31.5X2GV, FBSUWH48.5X2GV). (With hardware kit)



CAB-001

F

FLOOD LIGHTING



FLOODLIGHTING ACCESSORIES

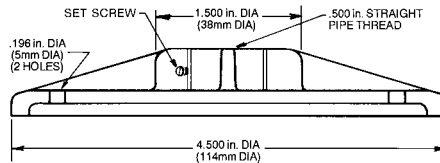
REFER TO ACCESSORY INDEX TO MATCH ACCESSORY WITH PRODUCT.
ILLUSTRATIONS SHOWN ARE TYPICAL REPRESENTATIONS.

FLAT SURFACE MOUNTING ADAPTER

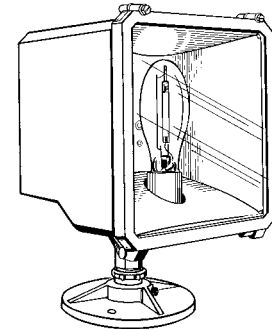
- FSMA-SBF**

Flat mounting base for 4-inch (102mm) junction-box mounting

NOTE: Also fits CPF Powerflood® Floodlight and Quartz Flood



FSMA-SBF



FLOOD LIGHTING

FLOODLIGHT BRACKET

For Wall or Flat Surface

- FBSFA2TTPP**

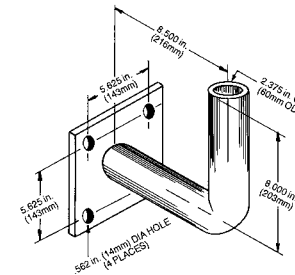
Wall mounting bracket for mounting any floodlight with 2-inch (51mm) slipfitter to flat, vertical or horizontal surface (Prime painted steel)

- FBSFA2TTDB**

Same as **FBSFA2TTPP** except painted Dark Bronze

- FBSFA2TTGR**

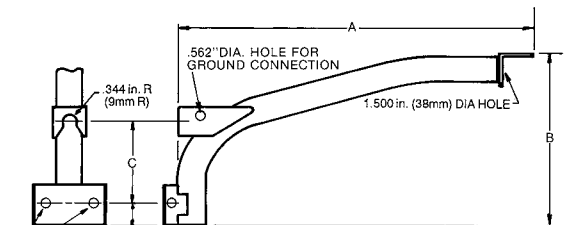
Same as **FBSFA2TTPP** except painted Gray



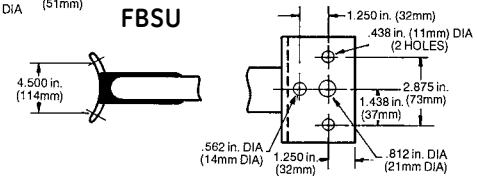
FBS

DIMENSIONS

CATALOG NO.	A	B	C
FBSUWH19.5X2GV	19.500 in. 495mm	15.000 in. 381mm	7.000 in. 178mm
FBSUWH31.5X2GV	31.500 in. 800mm	16.625 in. 422mm	8.250 in. 210mm
FBSUWH48.5X2GV	48.500 in. 1232mm	19.875 in. 505mm	8.250 in. 210mm



FBSU



FBSX

For Trunnion Mounted Floodlights

- FBSUWH19.5X2GV**
- FBSUWH31.5X2GV**
- FBSUWH48.5X2GV**

Galvanized steel upsweep brackets for vertical wood pole. Accommodates trunnion mounting with a full 360-degree adjustment. A 3/4-inch diameter bolt, nut and lock washer are included to mount floodlight trunnion on flange. Maximum weight allowed is 90 lbs (41 kgs).

- FBSXA2TTPP**

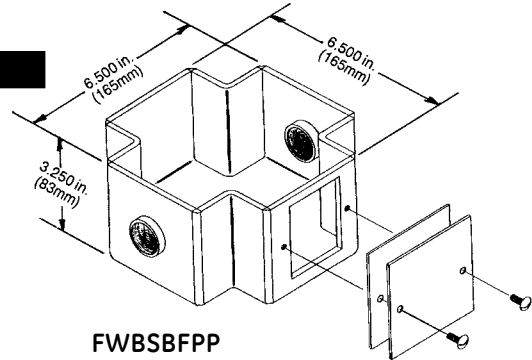
Cross-arm bracket with 2.375-inch (60mm) OD vertical tenon for mounting any floodlight with 2-inch (51mm) slipfitter (Prime painted steel)

FLOODLIGHTING ACCESSORIES

REFER TO ACCESSORY INDEX TO MATCH ACCESSORY WITH PRODUCT.
ILLUSTRATIONS SHOWN ARE TYPICAL REPRESENTATIONS.

FLOODLIGHT WIRING BOX

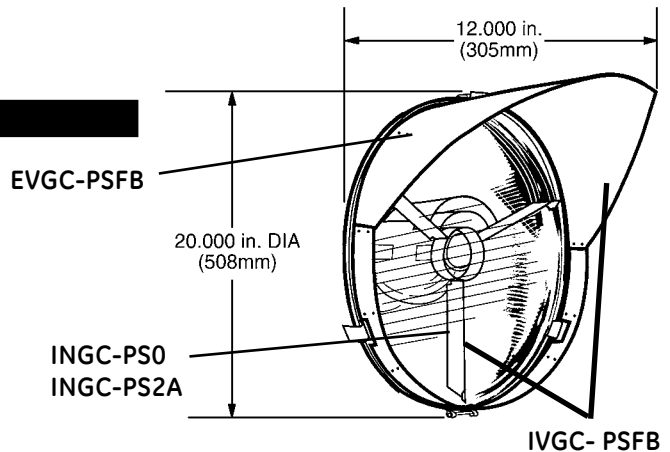
- **FWBSBFPP**
For use with wall mounting bracket **FBSFA2TTPP** (order separately). Two 3/4-inch tapped conduit entrances for thru-feed surface wiring. Gasketed wiring compartment cover (prime painted steel).



F
FLOOD LIGHTING

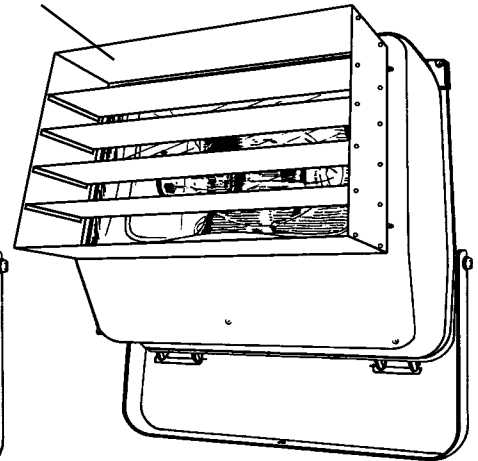
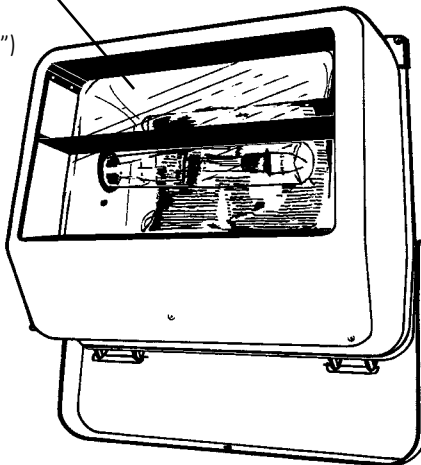
GLARE REDUCTION

- **EVGC-PSFB**
20 in. Door & Glass Assembly with external visor
- **INGC-PS0**
20 in. Door & Glass Assembly with internal louver
- **IVGC-PSFB**
20 in. Door & Glass Assembly with internal glare reduction and external visor both mounted to door glass assembly.
- **INGC-PS2A-NEMA2**
Internal Louver only for 22 in. (559mm) optical (also known as "Bradley Louver")
- **INGC-PS2B-NEMA3**
- **LAAL-PF1K**
External Louver Assembly for PF-1000
- **IGLA-PF1K**
Assembly fits into hydroformed reflector after lamping. Assembly held in place by clips. (For 1000w HPS only)



IGLA-PF1K

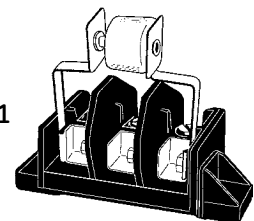
LAAL-PF1K



LINE SURGE PROTECTOR, EXPULSION TYPE

- **35-411749R01**
Can be added to most fixture terminal boards.

35-411749R01



FLOODLIGHTING ACCESSORIES

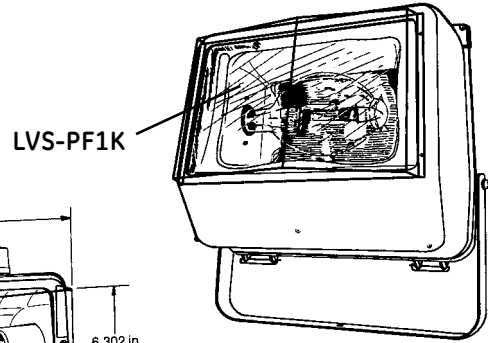
REFER TO ACCESSORY INDEX TO MATCH ACCESSORY WITH PRODUCT.
ILLUSTRATIONS SHOWN ARE TYPICAL REPRESENTATIONS.



POLYCARBONATE VANDAL SHIELD

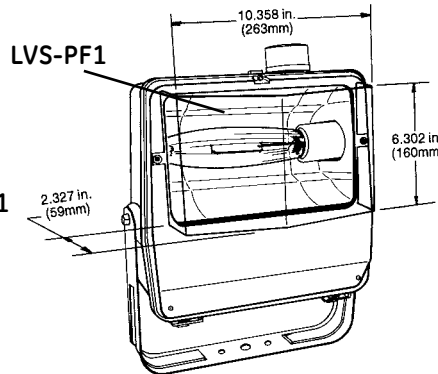
- **LVS-PF1K**

Can use with Top and Side visor
45° Limit aim angle from nadir



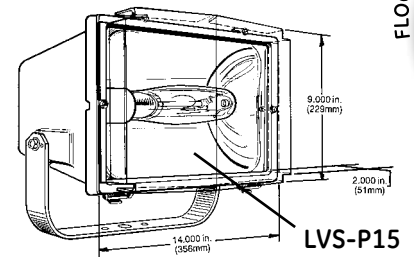
- **LVS-PF1**

Can use with wire guard **WG-PF1**
Can use with top and side visor **TSVDB-PF1**



- **LVS-P15**

Can use with top and side visor **TSVDB-P15**
Can use with wire guard **WG-P15**

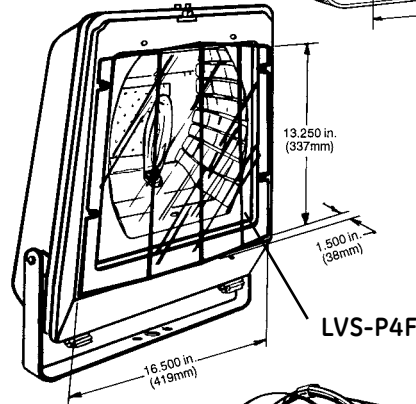


- **LVS-CFSX**

Can use Top & Side Visor **TSVXXXX-CFSX**

- **LVS-CFMX**

Can use Top & Side Visor **TSVXXXX-CFMX**

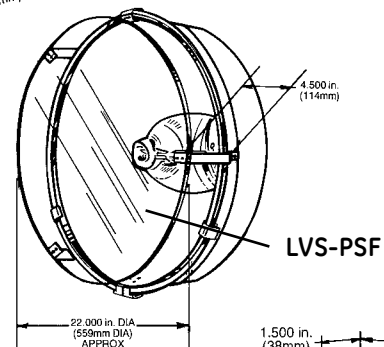


- **LVS-P4F**

Can use with top and side visor **TSVAL-P4F, TSVDB-P4F,**
Can use with wire guard **WG-P4F,**
Can also be used on Versaflood® Wallighter luminaire

- **LVS-PSFHD2 (400 Watt Max)**

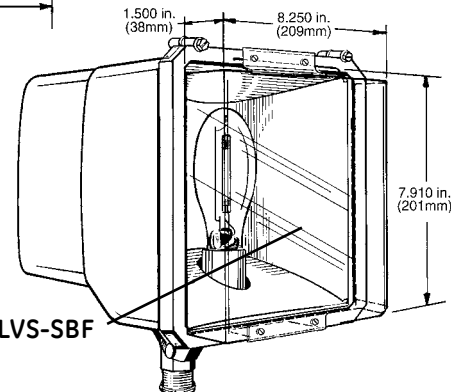
NEMA 2, for use with 400 watt Heavy Duty 22-inch (559mm) optical only. Both vandal shield and top and side visor cannot be used at the same time.



- **LVS-PSF0 (400 Watt Max)**

For 20-inch (508mm) Heavy Duty and General Purpose opticals, all beam spreads, 400 watt max.

Cannot use with Top and Side Visor (**TSVAL-PSF0**) or External Glare Control Louvers (**EGCL-PS0N34, EGCL-PS0N56**).



- **LVS-SBF**

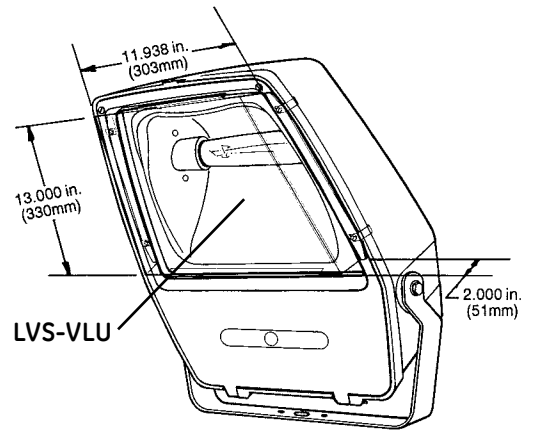
Cannot use with top and side visor **TSVDG-SBF**

FLOODLIGHTING ACCESSORIES

REFER TO ACCESSORY INDEX TO MATCH ACCESSORY WITH PRODUCT.
ILLUSTRATIONS SHOWN ARE TYPICAL REPRESENTATIONS.

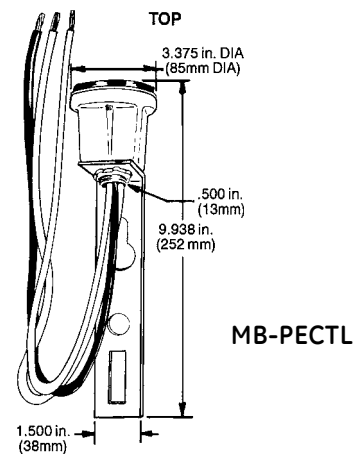
POLYCARBONATE VANDAL SHIELD

- **LVS-VLU**
Can use with top and side visor **TSVDB-VLU**
Cannot use with wire guard **WG-VLU**



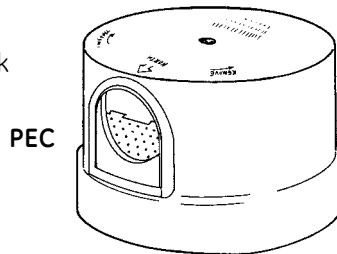
MOUNTING BRACKET

- **MB-PECTL**
With locking-type receptacle for use with photoelectric control (remove bracket to use with conduit)



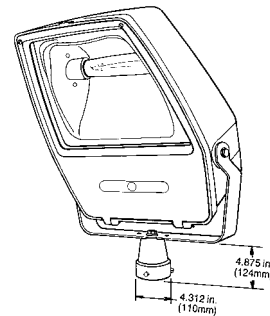
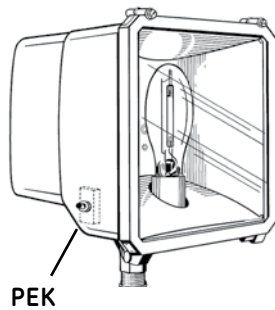
PHOTOELECTRIC CONTROL

- **PEC0TL**
120, 208, 240, 277 Multivolt Turn and Lock
- **PEC1TL**
120 volt Turn and Lock
- **PEC5TL**
480 volt Turn and Lock



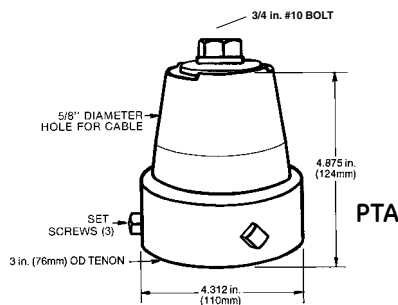
PHOTOELECTRIC CONTROL KIT

- **PEK-120**
120 volt-for field installation
- **PEK-240**
208 volt, 240 volt-for field installation
- **PEK-277**
277 volt-for field installation
- **PEK-347**
347 volt-for field installation



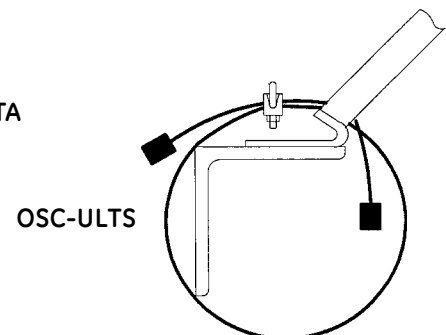
POLE TOP ADAPTER

- **PTADB-002**
Dark Bronze, for 3-inch (76mm) OD pipe
- **PTAGR-002**
Gray, for 3-inch (76mm) OD pipe



SAFETY CABLE

- **OSC-ULTS**
4 ft. (1.2 meters)
- **OSC-ULTS001**
6 ft. (1.8 meters)



F
FLOOD LIGHTING



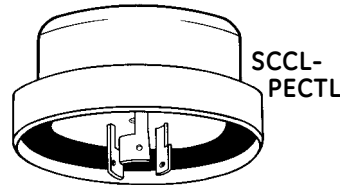
FLOODLIGHTING ACCESSORIES

REFER TO ACCESSORY INDEX TO MATCH ACCESSORY WITH PRODUCT.
ILLUSTRATIONS SHOWN ARE TYPICAL REPRESENTATIONS.

SHORTING CAP

NEW

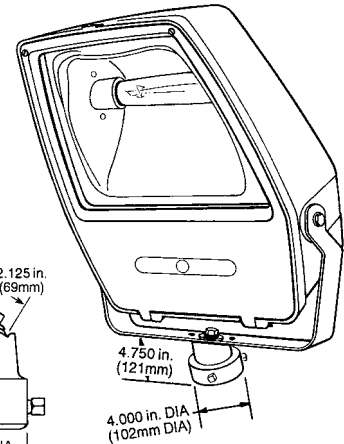
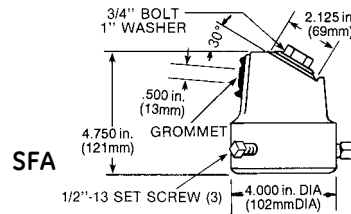
- SCCL-PECTL



SLIPFITTER ADAPTER

NEW

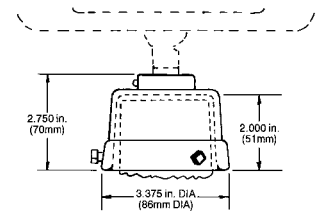
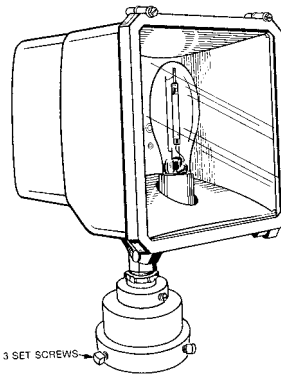
- SFADB-001
Dark Bronze, cast aluminum slipfitter for 30-degree mounting of trunnion on 1-1/2 to 2-1/2 inch pipe (1.9 to 2.875-inch [48 to 73mm] OD)
- SFAGR-001
Gray, cast aluminum slipfitter for 30-degree mounting of trunnion on 1-1/2 to 2-1/2 inch pipe (1.9 to 2.875-inch [48 to 73mm] OD)



SWIVEL MOUNTING ADAPTER

- SMADB-SBF
Dark Bronze, slipfitter for mounting on 1-1/2 to 2-inch standard pipe (1.9 to 2.38-inch [48 to 60 mm] OD)
- SMAGR-SBF
Gray, slipfitter for mounting on 1-1/2 to 2-inch standard pipe (1.9 to 2.38 [48 to 60mm] OD)

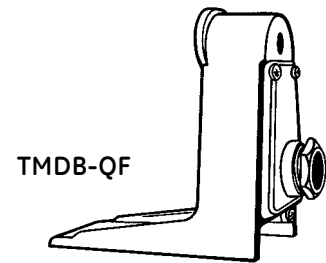
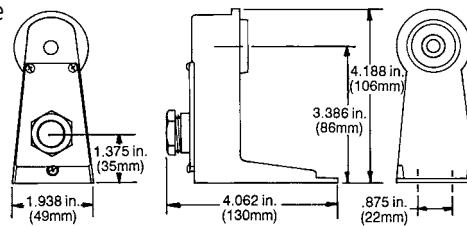
NOTE: Also fits VPF/MPF Powerflood® Floodlight and Quartz-Flood.



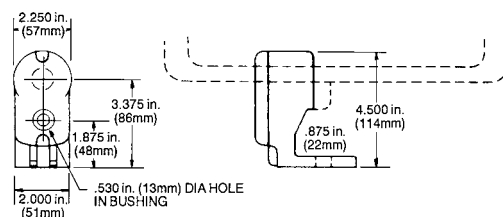
SMA

TRUNNION MOUNT

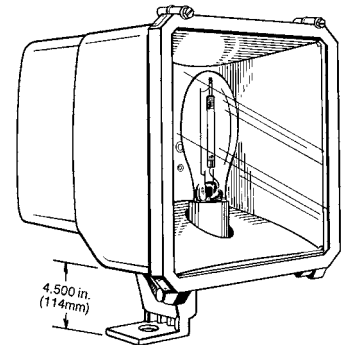
- TMDB-SBF001
Dark Bronze, with single-cable entrance
NOTE: Can be used for SBF and SBN luminaires
- TMDB-SBF002
Dark Bronze, with twin-cable entrance
- TMGR-SBF001
Gray, with single-cable entrance
- TMGR-SBF002
Gray, with twin-cable entrance
- TMDB-QF50
Dark Bronze, for QF300/500



TMDB-QF



TM**-SBF



F
FLOOD LIGHTING

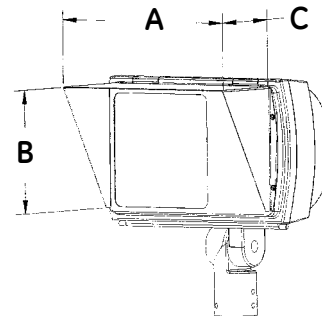
FLOODLIGHTING ACCESSORIES

REFER TO ACCESSORY INDEX TO MATCH ACCESSORY WITH PRODUCT.
ILLUSTRATIONS SHOWN ARE TYPICAL REPRESENTATIONS.

TOP AND TWO SIDES VISOR ASSEMBLY

	DIMENSION A	DIMENSION B	DIMENSION C
Small - CFSX	14.250 in. (362 mm)	9.000 in. (229 mm)	6.000 in. (152 mm)
Medium - CFMX	19.375 in. (492 mm)	14.000 in. (356 mm)	10.000 in. (254 mm)
Large - CFLX	27.625 in. (702 mm)	15.684 in. (398 mm)	10.000 in. (254 mm)

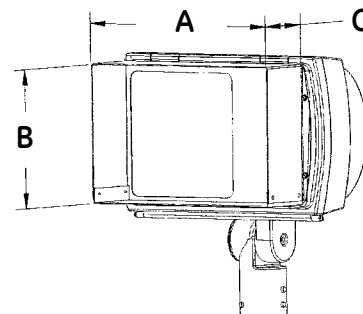
- TSVADKBZ-CFSX (Dark Bronze)
- TSVWHITE-CFSX (White)
- TSVBLCK-CFSX (Black)
- TSVADKBZ-CFLX (Dark Bronze)
- TSVWHITE-CFLX (White)
- TSVBLCK-CFLX (Black)
- TSVADKBZ-CFMX (Dark Bronze)
- TSVWHITE-CFMX (White)
- TSVBLCK-CFMX (Black)



FULL VISOR ASSEMBLY

	DIMENSION A	DIMENSION B	DIMENSION C
Small - CFSX	14.250 in. (362 mm)	9.250 in. (235 mm)	4.000 in. (102 mm)
Medium - CFMX	19.375 in. (492 mm)	14.000 in. (356 mm)	4.000 in. (102 mm)

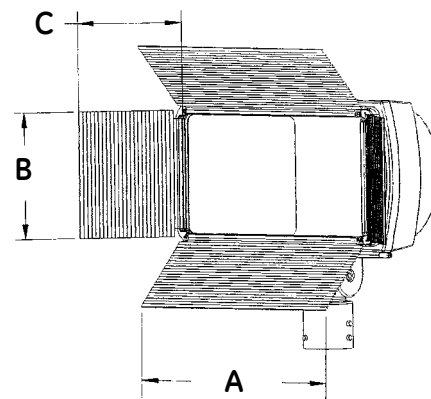
- FVADKBZ-CFSX (Dark Bronze)
- FVAWHITE-CFSX (White)
- FVABLCK-CFSX (Black)
- FVADKBZ-CFMX (Dark Bronze)
- FVAWHITE-CFMX (White)
- FVABLCK-CFMX (Black)



BARN DOOR ASSEMBLY

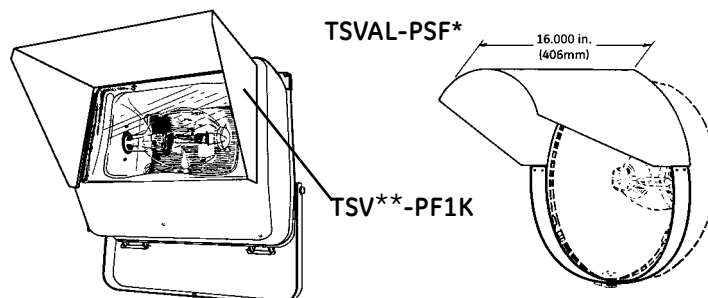
	DIMENSION A	DIMENSION B	DIMENSION C
Small - CFSX	14.063 in. (357 mm)	13.500 in. (343 mm)	6.500 in. (165 mm)
Medium - CFMX	19.625 in. (498 mm)	14.000 in. (356 mm)	6.500 in. (165 mm)

- BDADKBZ-CFSX (Dark Bronze)
- BDAWHITE-CFSX (White)
- BDABLCK-CFSX (Black)
- BDADKBZ-CFMX (Dark Bronze)
- BDAWHITE-CFMX (White)
- BDABLCK-CFMX (Black)



TOP AND TWO SIDES VISOR

- TSVAL-PF1K (Aluminum), NOTE: Can use with LVS-PF1K
- TSVDB-PF1K (Dark Bronze), NOTE: Can use with LVS-PF1K
- TSVAL-PSFHD2 — Aluminum, for Heavy Duty luminaires only, 22-inch (559mm) optical only. Mounts on door assembly.
- TSVAL-PSFB — Aluminum, for Heavy Duty or General Purpose luminaires, 20-inch (508mm) optical only. Includes door/glass assembly.



F
FLOOD LIGHTING

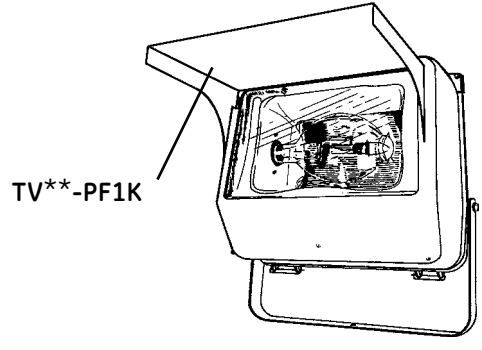
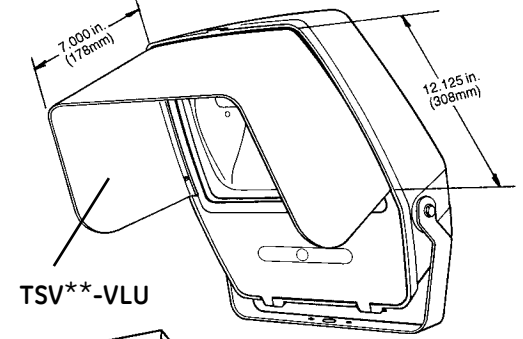
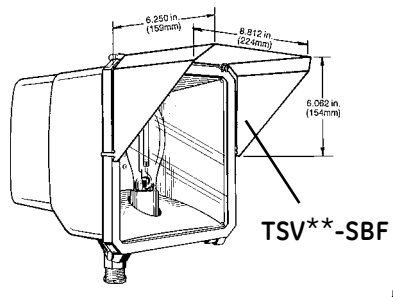
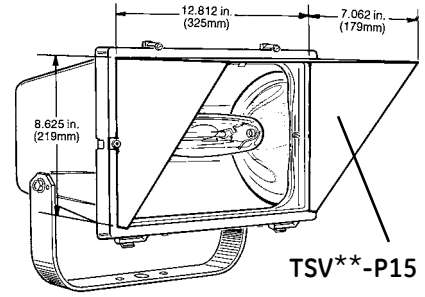
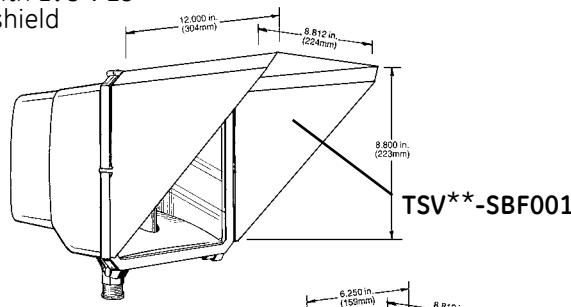
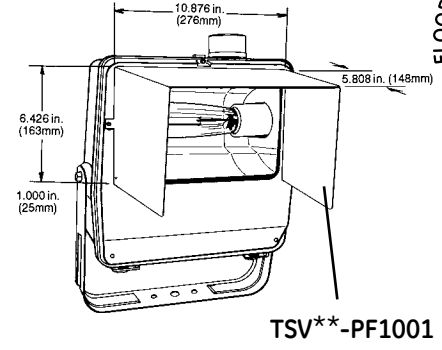
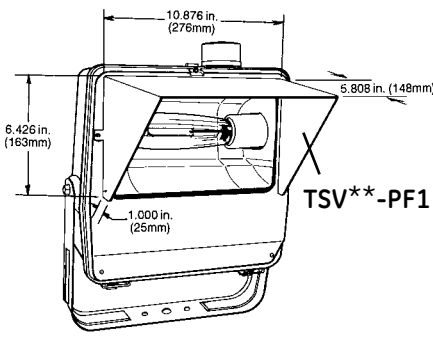
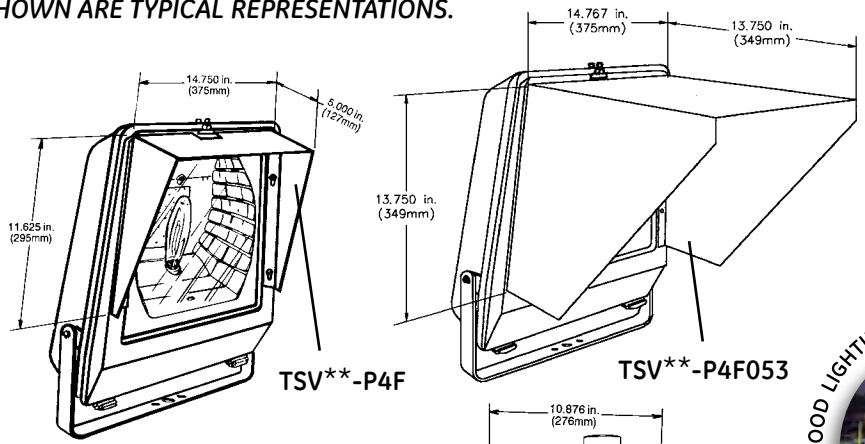


FLOODLIGHTING ACCESSORIES

REFER TO ACCESSORY INDEX TO MATCH ACCESSORY WITH PRODUCT.
ILLUSTRATIONS SHOWN ARE TYPICAL REPRESENTATIONS.

TOP AND TWO SIDES VISOR

- **TSVAL-P4F**
Aluminum
- **TSVDB-P4F**
Dark Bronze, can use with polycarbonate vandal shield **LVS-P4F**
Can use with wire guard **WG-P4F**
- **TSVDB-P4F053**
Heavy duty visor
- **TSVDB-PF1**
Dark Bronze, can use with **WG-PF1** wire guard
Can use with **LVS-PF1** vandal shield
- **TSVDB-PF1001**
Dark Bronze, can use with **WG-PF1** wire guard
Can use with **LVS-PF1** vandal shield
- **TSVDB-P15**
Dark Bronze, can use with **LVS-P15** polycarbonate vandal shield
- **TSVAL-SBF001**
Aluminum
- **TSVDB-SBF**
Dark Bronze
- **TSVAL-VLU**
Stainless Steel, can use with **LVS-VLU** polycarbonate vandal shield



NEW

TOP VISOR

- **TVAL2-PF1K**
Aluminum
- **TVDB2-PF1K**
Dark Bronze

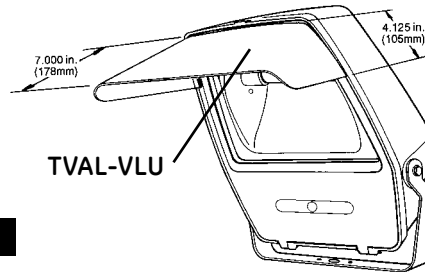


FLOODLIGHTING ACCESSORIES

REFER TO ACCESSORY INDEX TO MATCH ACCESSORY WITH PRODUCT.
ILLUSTRATIONS SHOWN ARE TYPICAL REPRESENTATIONS.

TOP VISOR

- **TVAL-VLU**
Aluminum

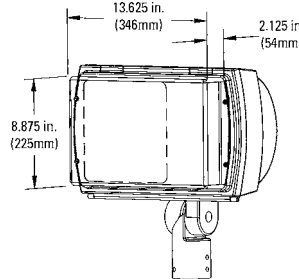


F

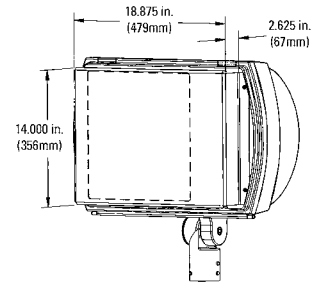
POLYCARBONATE VANDAL SHIELD

- **LVS-CFSX**
GELS Criterion Accessory
- **LVS-CFMX**
GELS Criterion Accessory

LVS-CFSX

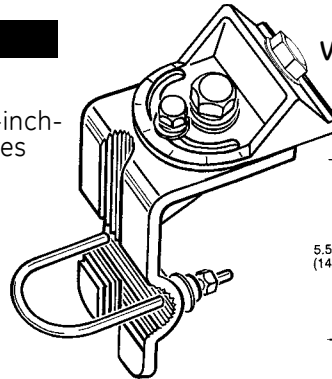


LVS-CFMX

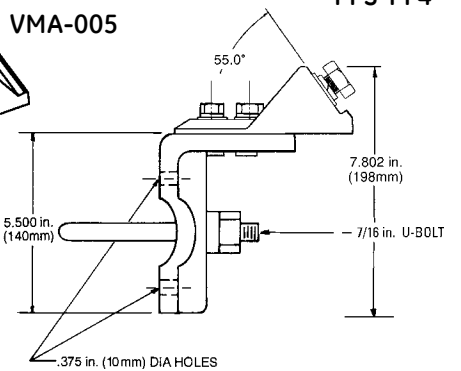


VERTICAL MOUNTING ADAPTER

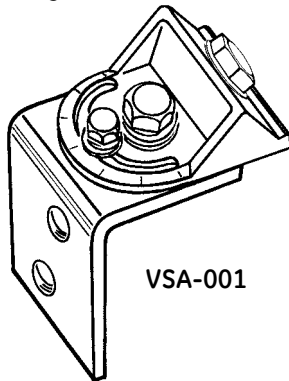
- **VMA-005** (Can be used with Ultra★Sport)
Galvanized for mounting on vertical 1-1/2 to 2-1/2-inch pipe (1.9 to 3.0-inch [48 to 76 mm] OD on wood poles and flat wall surfaces. Has degree scale for preset aiming and 180-degree adjustment.
- **VSA-001** (Do not use with Ultra★Sport)
For adjustable horizontal trunnion mounting on pole clamp band (**WPA-001**) with degree scale for preset aiming and 180-degree adjustment.



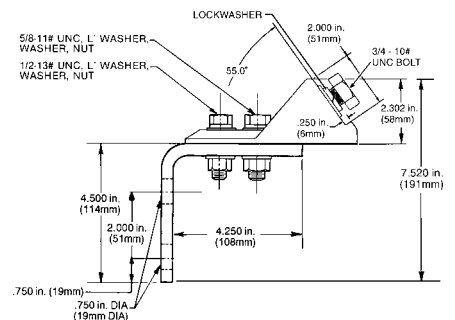
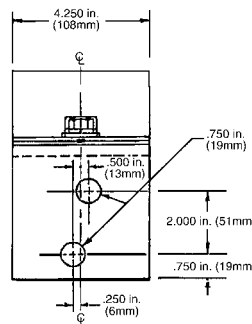
VMA-005



PPS-PF4

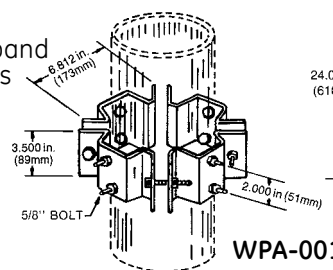


VSA-001

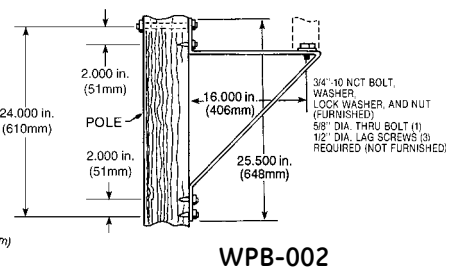


WOOD / METAL POLE ADAPTER

- **WPA-001** (Galvanized Steel)
A 6.5 to 8-inch (165 to 203 mm) diameter pole clamp band for mounting with other adapters up to four floodlights
NOTE: Must also order **VSA-001** to mount floodlights (One per floodlight)
- **WPB-002** (Galvanized Steel)
Angle bracket for vertical trunnion mounting and full 360-degree adjustment



WPA-001



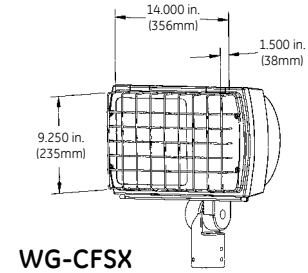
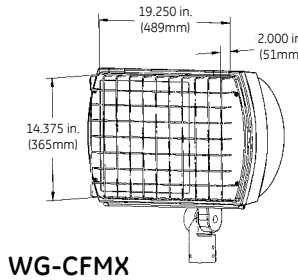
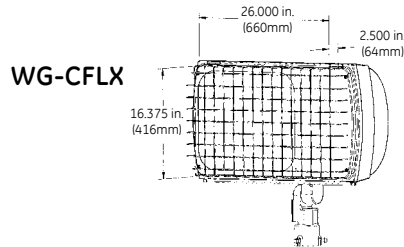
WPB-002

FLOODLIGHTING ACCESSORIES

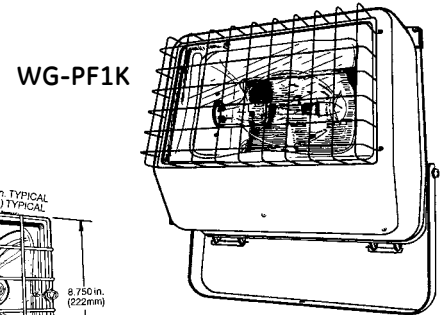
REFER TO ACCESSORY INDEX TO MATCH ACCESSORY WITH PRODUCT.
ILLUSTRATIONS SHOWN ARE TYPICAL REPRESENTATIONS.

WIRE GUARD

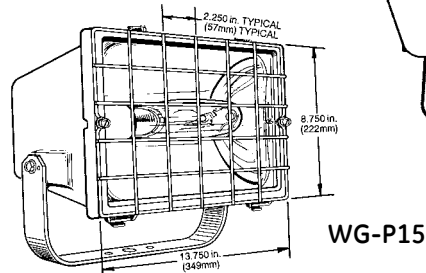
- WG-CFLX
- WG-CFMX
- WG-CFSX



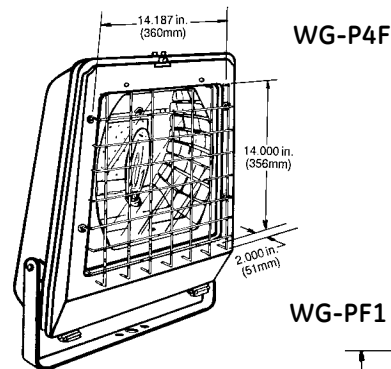
- WG-PF1K
Can use with polycarbonate vandal shield LVS-PF1K
Can use with top and side visors TSV** -PF1K, TV** -PF1K



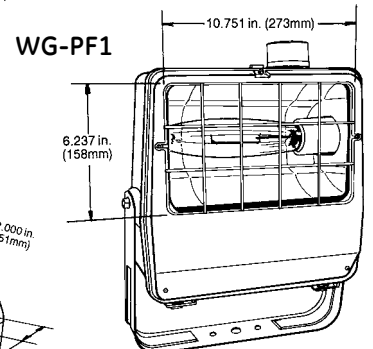
- WG-P15
Can use with polycarbonate vandal shield LVS-P15



- WG-P4F
Can use with polycarbonate vandal shield LVS-P4F
Can use with top and side visors TSV** -P4F, TSV** -P4F053

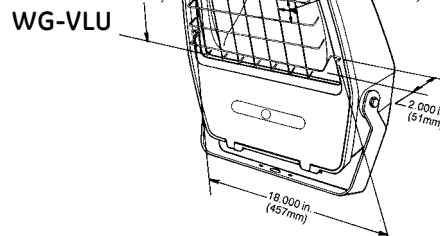


- WG-PF1
Can use with polycarbonate vandal shield LVS-PF1
See visors for usage.



- WG-PSF0
Fits 20-inch (508mm) Heavy Duty or General Purpose (Not Shown)

- WG-PSFHD2
Fits 22-inch (559mm) Heavy Duty or General Purpose (Not Shown)



- WG-VLU
Cannot be used with LVS-VLU



FLOODLIGHTING ACCESSORIES

REFER TO ACCESSORY INDEX TO MATCH ACCESSORY WITH PRODUCT.
ILLUSTRATIONS SHOWN ARE TYPICAL REPRESENTATIONS.

REMOTE BALLASTED POWER SPOT III FLOODLIGHT WITH OR WITHOUT GLARE CONTROL

INDOOR APPLICATION

HPS lamps (separated from ballast 10 feet (3 meters) or less) or metal halide lamps.

(Figure 1) - choose one Ordering Number each from STEPS 1, 2, 3, 4, and 5:

- **STEP 1.** From Floodlight Component page F-46, select an Ordering Number for Optical Component for Power Spot floodlight or Power Spot floodlight with glare control.

EXAMPLE: PSFBDHD0
PSFGCHD0

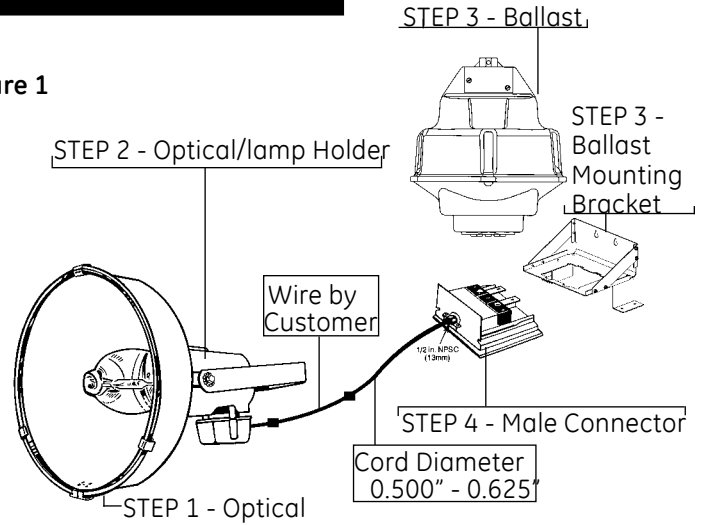
- **STEP 2** From Optical/Lamp Holder Selection Table, select an Ordering Number for Power Spot floodlight (same for both products). See Figure 2 for dimensions of Power Spot floodlight page F-36 for dimensions of glare control assembly.

EXAMPLE: PSFC95M

- **STEP 3** From Industrial component page I-145 select Ordering Number for Ballast Component of Filterglow

EXAMPLE: FG6G01M0AN11

Figure 1

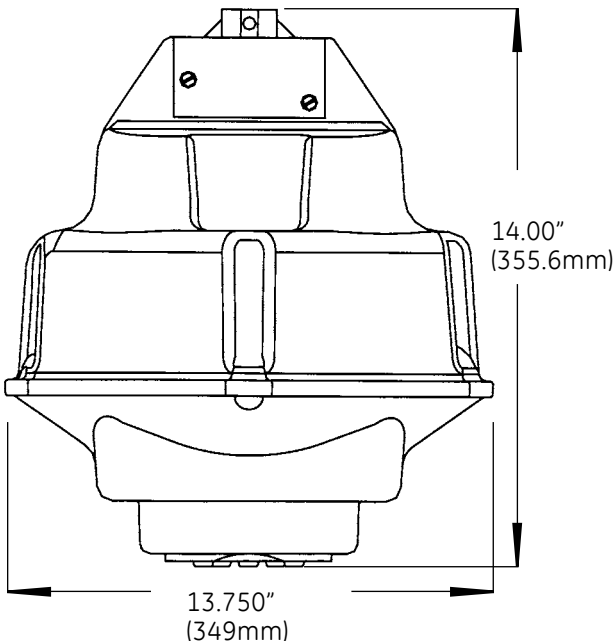


OPTICAL/LAMP HOLDER SELECTION TABLE

Wattage	Light Source	Ordering Number	Maximum Separation, Optical and Ballast
200, 250, 400	HPS	PSFC40S	10ft (3M)
750	HPS	PSFC75S	10ft (3M)
1000	HPS	PSFC01SC034	10ft (3M)
400	Metal Halide	PSFC40M	NOTE*
1000/1500	Metal Halide	PSFC95M	NOTE*

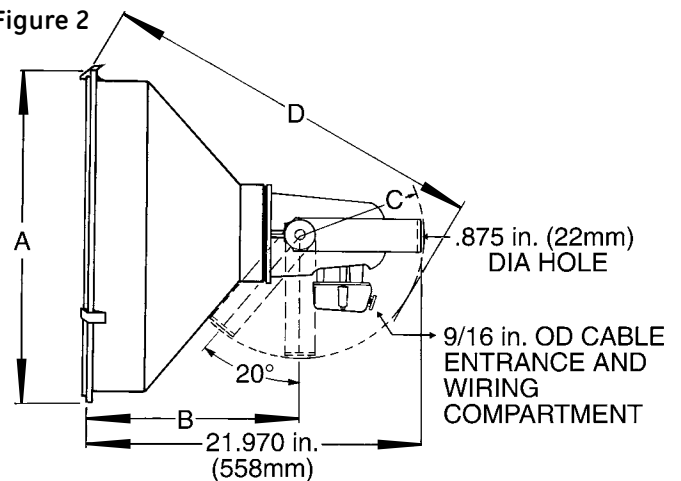
NOTE: *No limitation except voltage drop in the cable must not exceed five volts.

Figure 3 FG6 Large Ballast Housing



OPTICAL	A DIA.	B	C RADIUS	D MIN.
22 in. 559mm	23.000 in. 584mm	13.000 in. 330mm	9.000 in. 229mm	26.500 in. 673mm
20 in. 508mm	21.000 in. 533mm	13.000 in. 330mm	9.000 in. 229mm	26.000 in. 660mm

Figure 2



OUTDOOR APPLICATION

Contact Factory
See page I-94 for remote mounting limitations.

INDOOR APPLICATION (Continued)

- **STEP 3a.** For metal halide indoor and high temperature applications (65°C), a special encapsulated ballast is available which includes wiring box and conduit entrance. See figure 4 for dimensions.

EXAMPLE: ENC40M0A6018
ENC01M0A6018
ENC51M0A6018

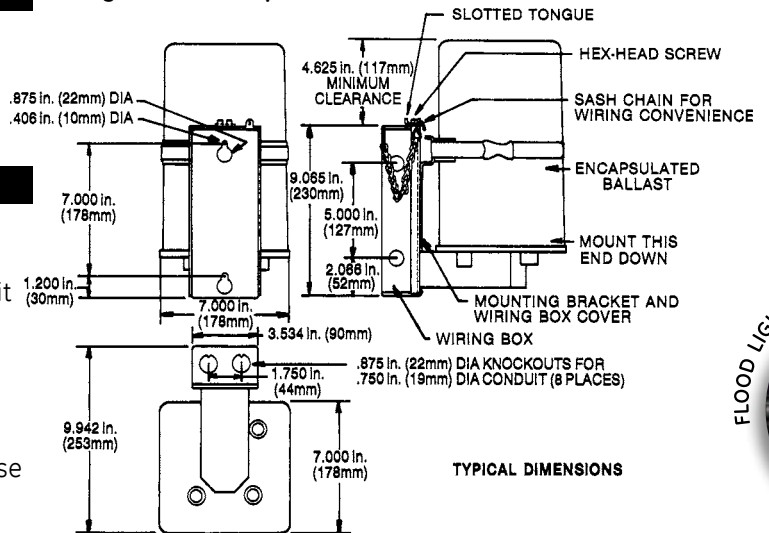
- **STEP 4** From **Male Connector Selection Table**, choose an Ordering Number. Male connector mates with receptacle on bottom of ballast housing.

EXAMPLE: MCS-FGB

- **STEP 5** From **Ballast Mounting Bracket Selection Table**, select an Ordering Number for Ballast Mounting Bracket for horizontal or vertical surface mounting. See Figure 5 for dimensions. LARGE (FG6) Filterglow® luminaire ballast housing must be used to fit bracket.

EXAMPLE: HSM-FG6

Figure 4 – Encapsulated Ballast



F
FLOOD LIGHTING

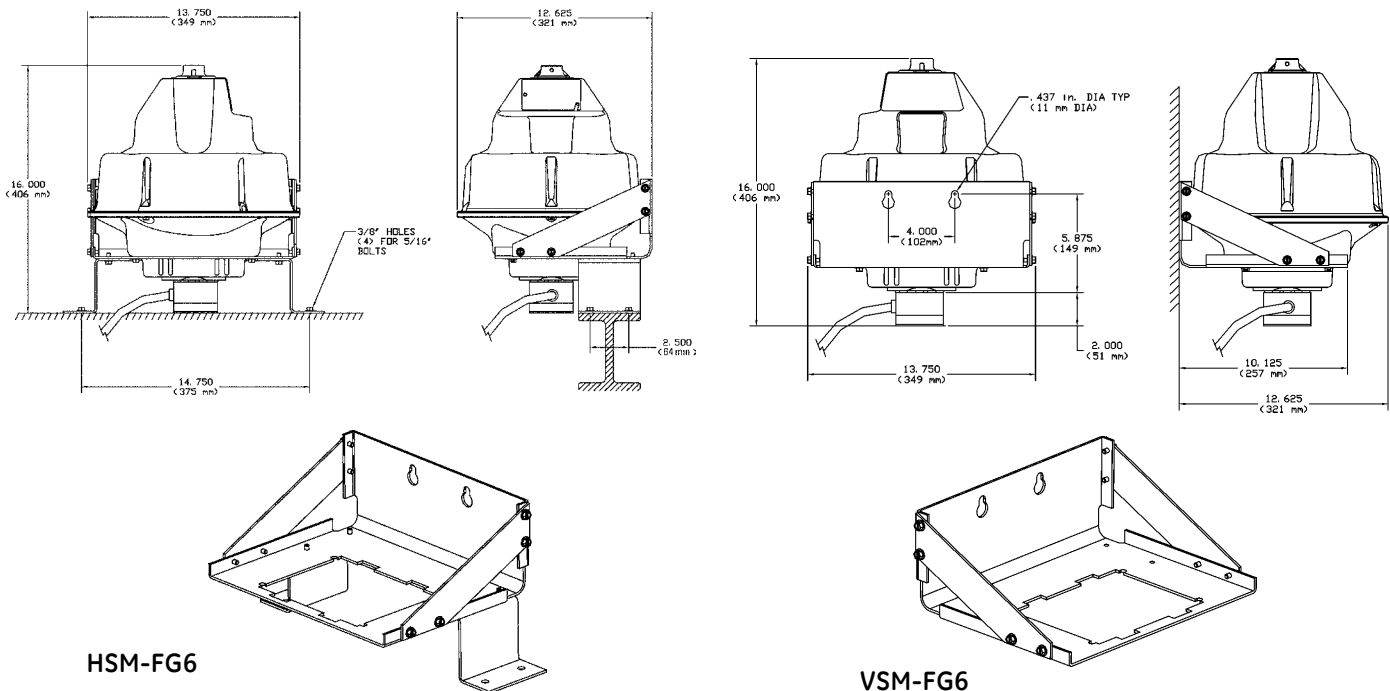
MALE CONNECTOR SELECTION TABLE*

Circuit	Ordering Number	Option
Single	MCS-FGB	Add "W" suffix to any listed Ordering Number for connectors suitable for wet location
Dual for Automatically Switched Quartz (500 watt maximum)	MCD-FGB	
NOTE: *Customer wiring required		

BALLAST MOUNTING BRACKET SELECTION

Mounting Position	Ordering Number
Horizontal Surface	HSM-FG6
Vertical Surface	VSM-FG6

Figure 5 – Mounting Brackets



HSM-FG6

VSM-FG6

COMPONENT ORDERING LOGIC

As shown below, components can be ordered separately. The ordering logic for components can be derived from the product ordering number logic shown above each product grouping. The groupings explain the procedure to derive component ordering numbers.

EXAMPLES:

POWR •SPOT® FLOODLIGHTS

COMPLETE UNIT NUMBER

PSFA 51 M 5 A 2 4 HD0 P

PRODUCT ID.	WATTAGE	LIGHT SOURCE	VOLTAGE	BALLAST TYPE	TRUNION TYPE	NEMA TYPE BEAM SPREAD HORIZ X VERT	OPTICAL REFLECTOR	OPTIONS
XXXX	XX	X	X	X	X	X	XXX	XXX

BALLAST COMPONENT LOGIC

PSFD 51 M 5 A 2 P

PRODUCT ID.	WATTAGE	LIGHT SOURCE	VOLTAGE	BALLAST TYPE	TRUNION TYPE	OPTIONS
XXXX	XX	X	X	X	X	XXX

OPTICAL COMPONENT LOGIC

PSFB C HD0

PRODUCT ID.	NEMA TYPE BEAM SPREAD HORIZ X VERT	OPTICAL REFLECTOR
XXXX	X	XXX

OPTICAL COMPONENT LOGIC	MH			HPS			CHOOSE A, B, C, D, E FROM TABLE USING BEAM SPREAD AND LAMP TYPE
	1500W	1000W	400W	1000W	400W	750W	
A	2	2	1	N/A	N/A	N/A	HD2 or GP2
B	3	3	3*	N/A	3	3	GP0 or HD0
C	4	4	3	N/A	4	4	
D	5	5	N/A	N/A	5	5	
E	6	6	6	5	6	6	

NOTE: *Not standard. Better equivalent distributions exist. N/A = Not Available

POWR •SPOT® ULC

COMPLETE UNIT NUMBER

ULGC 51 M 0 A Z C0 HD0 P

PRODUCT ID.	WATTAGE	LIGHT SOURCE	VOLTAGE	BALLAST TYPE	TRUNION TYPE	NEMA TYPE BEAM SPREAD HORIZ X VERT	OPTICAL REFLECTOR	OPTIONS
XXXX	XX	X	X	X	X	XX	XXX	XXX

BALLAST COMPONENT LOGIC

PSFD 51 M 0 A Z P

PRODUCT ID.	WATTAGE	LIGHT SOURCE	VOLTAGE	BALLAST TYPE	TRUNION TYPE	OPTIONS
XXXX	XX	X	X	X	X	XXX

OPTICAL COMPONENT LOGIC

ULGC C HD0

PRODUCT ID.	NEMA TYPE BEAM SPREAD HORIZ X VERT	OPTICAL REFLECTOR
XXXX	X	XXX

20-inch (508mm) diameter glare reduction reflector **without door except for ULGN product**

Choose reflector ID. from Ballast and Photometric Selection Table on page F-9.

Decide whether to use General Purpose (GP) or Heavy Duty (HD) Optical

Optical Component ID is dependent upon complete Unit Product ID

B = NEMA 3X3
C = NEMA 4X4
D = NEMA 5X5
E = NEMA 6X6
Note that this is also used as the reflector ID. It appears on a decal on the outside bottom of each reflector and can be seen from the ground.

UNIT ID	OPTICAL ID
ULGC	= ULGC
ULGV	= PSGB
ULGN	= ULGN

POWR •SPOT® FLOODLIGHTS with Glare Reduction

COMPLETE UNIT NUMBER

PSGV 51 M 5 A 2 C0 GD0 P

PRODUCT ID.	WATTAGE	LIGHT SOURCE	VOLTAGE	BALLAST TYPE	TRUNION TYPE	NEMA TYPE BEAM SPREAD HORIZ X VERT	OPTICAL REFLECTOR	OPTIONS
XXXX	XX	X	X	X	X	XX	XXX	XXX

BALLAST COMPONENT LOGIC

PSFD 51 M 5 A 2 P

PRODUCT ID.	WATTAGE	LIGHT SOURCE	VOLTAGE	BALLAST TYPE	TRUNION TYPE	OPTIONS
XXXX	XX	X	X	X	X	XXX

OPTICAL COMPONENT LOGIC

PSGC C GPO

PRODUCT ID.	NEMA TYPE BEAM SPREAD HORIZ X VERT	OPTICAL REFLECTOR
XXXX	X	XXX

20-inch (508mm) diameter glare reduction reflector **without door**

Choose reflector ID. from Ballast and Photometric Selection Table on page F-9.

Decide whether to use General Purpose (GP) or Heavy Duty (HD) Optical

GP0 = General Purpose 20-inch (508mm) Diameter Optical
HD0 = Heavy Duty 20-inch (508mm) Diameter Optical

B = NEMA 3X3
C = NEMA 4X4
D = NEMA 5X5
E = NEMA 6X6
Note that this is also used as the reflector ID. It appears on a decal on the outside bottom of each reflector and can be seen from the ground.

EXTERNAL GLARE REDUCTION LOUVERS

IVGC PS

Internal Glare Reduction Louvers or External Visor Mounted on Door Glass	For Powr•Spot Floodlight 20-inch (508mm) reflector
--	--

PSGN = INGC-PSO (20") - INGC-PS2A (22")
PSGV = EVGC-PSFB

DOOR GLASS/VISOR ASM

ULGV - PSFB

UNIT ID	DOOR ASSEMBLY
ULGC	= ULGV-PSFB
ULGV	= ULGV-PSFB
ULGN	= NONE

F
FLOOD LIGHTING



FLOODLIGHTING DATA

EXPLANATION OF OPTIONS

B = Time Delay Automatically Switched Quartz

Most luminaires can be provided with automatically switched quartz/instant on safety lighting where momentary power interruptions or extreme voltage dips can extinguish an HID lamp. A single-ended quartz lamp is placed in the same reflector with the metal halide, mercury or HPS lamp. The quartz lamp will remain on until the HID lamp strikes and reaches approximately 60% light output. This also means that the quartz lamp will come on when the luminaire is initially energized and remain on until the HID lamp reaches 60% light output.

Caution should be utilized when sizing branch circuits for luminaires with this option since the luminaire will draw additional current during the warm up period while both lamps (quartz and HID) are in operation.

Wiring for the quartz lamp is internal to the ballast assembly and, therefore, the 120 volts to operate the quartz lamp is independent of the lighting system voltage. The 400 and 1000 watt luminaires have a socket for one 250 watt single-ended DC (Double Contact) bayonet base quartz lamp. The 250 watt and lower wattage luminaires have a socket for one 150 watt single-ended DC bayonet base quartz lamp. The lamp is not included.

F = Fusing (not available with multivolt or dual voltage.)

If specified, fuse(s) should be rated three times maximum current but less than branch circuit breaker (minimum of 5 amps for any fuse). Luminaires supplied with fuse holder(s) will accept a fuse such as Bussman KTK type. Factory installed fuse holder includes one fuse for 120V, 277V or two fuses for 208V, 240V, 480V.

G = Top Trunnion

Allows floodlight mounting with a trunnion above the luminaire, rather than below.

J = Line Surge Protector, Expulsion Type

An expulsion device protects against transient surges caused by lightning or distribution system switching.

K = Knuckle Slipfitter for 1.9-IN. to 2.38-in. (48 to 60mm) OD Pipe

With a knuckle slipfitter, a luminaire is mounted directly to the slipfitter, while with other types of slipfitters, the luminaire is trunnion mounted. The luminaire is aimed by moving the knuckle slipfitter, rather than by adjusting a trunnion. Wiring is internal, giving a neater appearance. This option is available for use on pipe with outside diameters (OD) of 1.9 to 2.38 inches (48 to 60mm).

L = Latch on door or latch optical (when latch is not standard)

With this option, latches are used instead of screws to allow no-tool access.

P = Prewired with 6 feet (2 meters) of #14/3 cord

Luminaire is equipped with six feet (two meters) of prewired #14/3 cord.

Q = Non-time Delay Automatically Switched Quartz

This option is similar to option "B" except the quartz lamp extinguishes once the HID lamp strikes. During a cold start of the HID lamp the quartz lamp will not come on. This option does not draw any additional current in the circuit.

S = Knuckle Slipfitter for 1.9-IN. to 3.0-IN. (48 to 76mm) OD TENON

With other than knuckle slipfitters, a luminaire must be equipped with a trunnion so that it can be aimed. With a knuckle slipfitter, the luminaire is mounted directly to the slipfitter. The luminaire is aimed by moving the knuckle on the slipfitter, rather than by adjusting a trunnion. Wiring is internal, giving a neater appearance. This option is available for use on poles with top tenons.

T = Terminal Board (when terminal board is not standard)

All internal wiring in the luminaire is completed. Internal and external electrical connectors are made on a screw terminal board.

V = Knuckle Wall Mount

Luminaire can be mounted on a wall with a knuckle-type mounting which allows luminaire aiming. See product pages for availability.

Y = Dual wattage units connect higher wattage

Electrical connections for higher-wattage operation are made at the factory for luminaires suitable for operation at either one of two wattages.



F

FLOOD LIGHTING



EXPLANATION OF OTHER TERMS USED

Multivolt

The multivolt choice under “Voltage” in Ordering Number Logic tables means that the customer can make the necessary connections to operate the luminaire at any one of four voltages – 120, 208, 240 or 277.

PE Control

A photoelectric (PE) control allows automatic dusk-to-dawn operation of luminaires. With most luminaires, the “PE” choice includes a receptacle only; the PE itself must be ordered separately. See product pages.

PE Control Kit

Some luminaires do not have provision for photoelectric receptacles. In that case, there may be a knockout or other provision for a field-installed PE Control Kit. Consult Accessories Section to determine if kit of appropriate line voltage is available.

Nema beam spread designations

The beam spread of floodlights can be described in degrees or by the NEMA type (Fig. 1). Beam spread designations are based on the angle to either side of the aiming point where candlepower (light output) drops to 10% of its maximum value. Symmetrical floodlights have the same horizontal and vertical beam spreads and can therefore be classified with one NEMA number. Asymmetrical (non-circular) beam spreads have a horizontal and vertical designation (H, V); the horizontal (H) value is always given first.

Outdoor Floodlight Luminaire Designations	
Beam Spread Degrees	NEMA Type
10 up to 18	1
18 up to 29	2
29 up to 46	3
46 up to 70	4
70 up to 100	5
100 up to 130	6
130 up	7

Figure 1

Mounting Height

Mounting height is generally the distance from the luminaire to the ground. For pole mounted luminaires, this may not correspond to pole height, depending on whether the luminaire is mounted directly on the pole, or on an upsweep arm bracket that adds to mounting height.

UL Listing

Equipment has passed tests by Underwriters’ Laboratories and is UL listed (UL 1572 suitable for use in wet locations).