

DECASHIELD® 1000 LUMINAIRE



APPLICATIONS

- High wattage site lighting including parking areas, roadways, automobile lots, tennis courts, malls and commercial complexes

SPECIFICATION FEATURES

- / 1598 Listed
Suitable For Wet Locations
- Precision engineered aluminum housing featuring die-cast ends and die-cast door frame
- Polyester powder paint finish in dark bronze, black, gray, white or aluminum
- No-tool access stainless steel latch design
- Broken Glass Shutdown Circuit
- Heat and impact resistant tempered flat glass lens
- Removable ballast tray—standard
- Utilizes standard 1000 watt lamps
- Available with Type I, Type II, Type III or Forward Throw
- All reflectors are field rotatable
- Enclosed and gasketed housing
- Decorative Mounting Arm (4 in. [103mm], 8 in. [203mm] or 12 in. [305mm]) (Drilling templates are the same for the Decashield 400 and Dimension™ luminaires.)
- Mogul base socket – E39 standard
- Magnapack packaging available

DECASHIELD 1000 AREA LIGHTING

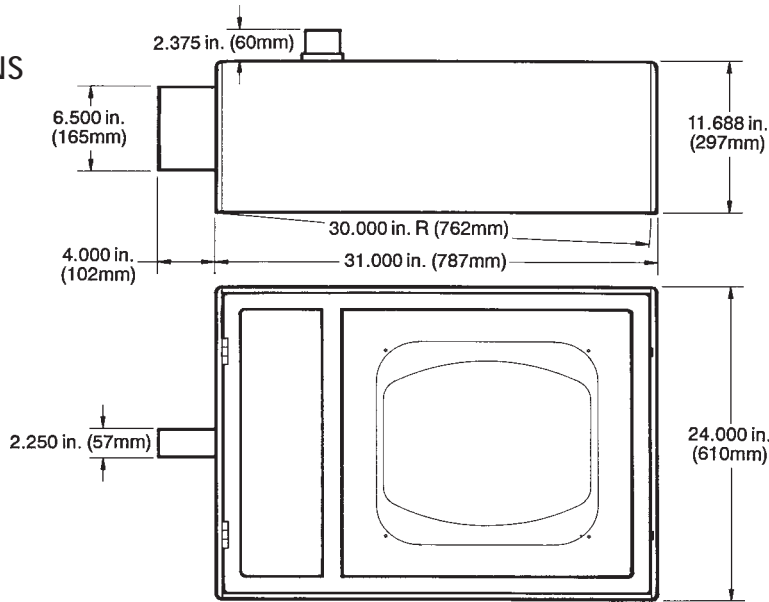
A

ORDERING NUMBER LOGIC

DSA	01	S	1	A	2	G	MC1	DB	1	Q
PRODUCT IDENT	WATTAGE	LIGHT SOURCE	VOLTAGE	BALLAST TYPE	PE FUNCTION	LENS TYPE	IES DISTRIBUTION TYPE	COLOR	MOUNTING ARM LENGTH	OPTIONS
XXX	XX	X	X	X	X	X	XXX	XX	X	XXX
DSA = Decashield 1000 Luminaire with Arm Mounting	75 = 750 01 = 1000	S = HPS M = MH P = Pulse MH Standard: Mogul base lamp not included.	60Hz 0 = 120/ 208/ 240/ 277 Multivolt 1 = 120 2 = 208 3 = 240 4 = 277 5 = 480 D = 347 F = 120X347 T = 220 50Hz 6 = 220 R = 230 Y = 240 NOTE: 120X347 connected for 120V	See Ballast and Photometric Selection Table A = Autoreg H = HPF Reactor or Lag P = CWI with Grounded Socket Shell	1 = None 2 = PE Receptacle 4 = PE Receptacle and Shorting Cap NOTE: Receptacle connected same voltage as unit.	G = Glass	See Ballast and Photometric Selection Table MC1 = Medium Cutoff Type I SC2 = Short Cutoff Type II MC2 = Medium Cutoff Type II MC3 = Medium Cutoff Type III FWT = Forward Throw	AL = Aluminum BL = Black DB = Dark Bronze (Standard) CG = Charcoal Gray WH = White	1 = 4 in. (102mm) for Singles Two at 180° 2 = 12 in. (305mm) for Two at 90° Tri-Fixture Poles Quad-Fixture Poles 3 = 8 in. (203mm) for Singles Two at 180° 4 = 4 in. (102mm) for Round Pole 5 = 12 in. (305mm) for Round Pole 6 = 8 in. (203mm) for round Pole R = No arm. Housing drilled with diagonal hole pattern	A = Lightning Arrester, Grounding Type B = Time Delay Automatically Switched Quartz F = Fusing (Not available with multivolt or 120X347V) J = Line Surge Protector, Expulsion Type Q = Non-Time Delay Automatically Switched Quartz

DECASHIELD® 1000 LUMINAIRE

FIXTURE DIMENSIONS



DECASHIELD 1000 AREA LIGHTING

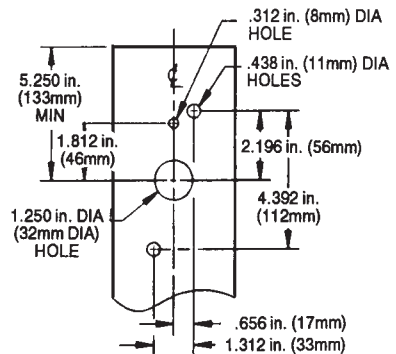
A

DATA

Approximate Net Weight	60-70 lbs	27-32 kgs
Suggested Mounting Height	30-50 ft.	9-15 M
Effective Projected Area:		
No Mounting Arm	2.6 sq ft max	0.24 sq M max
Single with 4 in. (102mm) Mounting Arm	3.0 sq ft max	0.29 sq M max
Double with 4 in. (102mm) Mounting Arm at 180°	6.0 sq ft max	0.56 sq M max
Double with 4 in. (102mm) Mounting Arm at 90°	4.5 sq ft max	0.42 sq M max
Single with 12 in. (305mm) Mounting Arm	3.2 sq ft max	0.30 sq M max
Double with 12 in. (305mm) Mounting Arm at 180°	6.4 sq ft max	0.59 sq M max
Triple with 12 in. (305mm) Mounting Arm at 90°	8.0 sq ft max	0.74 sq M max
Quad with 12 in. (305mm) Mounting Arm at 90°	9.3 sq ft max	0.86 sq M max
Double with 12 in. (305mm) Mounting Arm at 90°	4.8 sq ft max	0.45 sq M max

NOTE: The wind loading of Decashield Luminaires, when mounted to poles in multiples radially about the axis of the pole, do not necessarily have the EPA of a single luminaire multiplied by the number of luminaires.

SQUARE POLE MOUNTING: STANDARD (choices 1, 2, 3 from Logic Table)



DRILLING TEMPLATE

BALLAST AND PHOTOMETRIC SELECTION TABLE

All light sources are clear unless otherwise indicated.

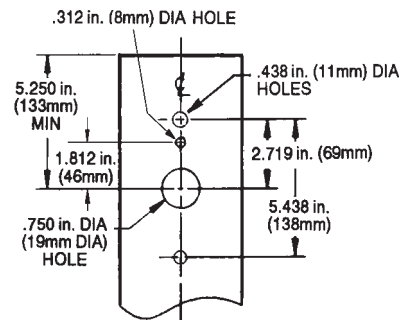
Wattage	Light Source	Ballast Type/Voltage								Photometric Curve No. 35-17 - - -					
		Multi-volt	60Hz				50Hz				IES Distribution Type				
			120, 208, 240, 277, 480	347, 120X347	220	220	230	240	MC1	SC2	MC2	MC3	FWT		
750	HPS	N/A	A,H	A,H	N/A	N/A	N/A	N/A	N/A	N/A	8979	N/A	8985		
1000	HPS	A	A	A	N/A	A	A	A	N/A	8980	8988	8993	8986		
1000	MH	A, P	A	A	A	A	A	A	N/A	8981	N/A	N/A	8982		
1000 (BT37)	MH	A, P	A	A	A	A	A	A	8978	N/A	N/A	N/A	8987		
1000	PMH	A	A	A	N/A	N/A	N/A	N/A	N/A	8981	N/A	N/A	8982		
1000 (BT37)	PMH	A	A	A	N/A	N/A	N/A	N/A	8978	N/A	N/A	N/A	8987		

NOTE: N/A=Not Available

REFERENCES

See Page A-16 for start of Accessories.
 See Page A-22 for Explanation of Options and Other Terms Used.
 See Pole and Bracket Section Page P-2 for pole selection.

ROUND POLE MOUNTING 3.5 to 4.5-inch (89 to 114mm) OD round pole mounting arm (choices 4, 5, 6 from Logic Table)



DRILLING TEMPLATE